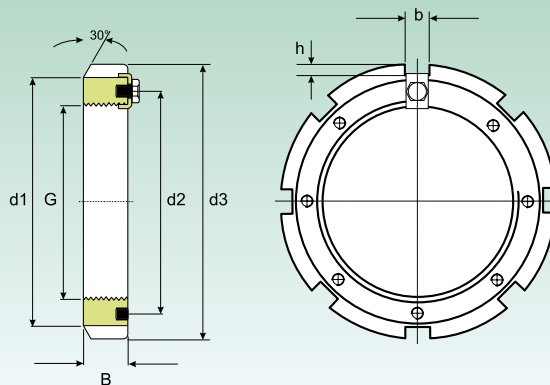
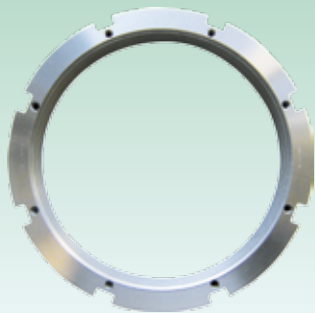
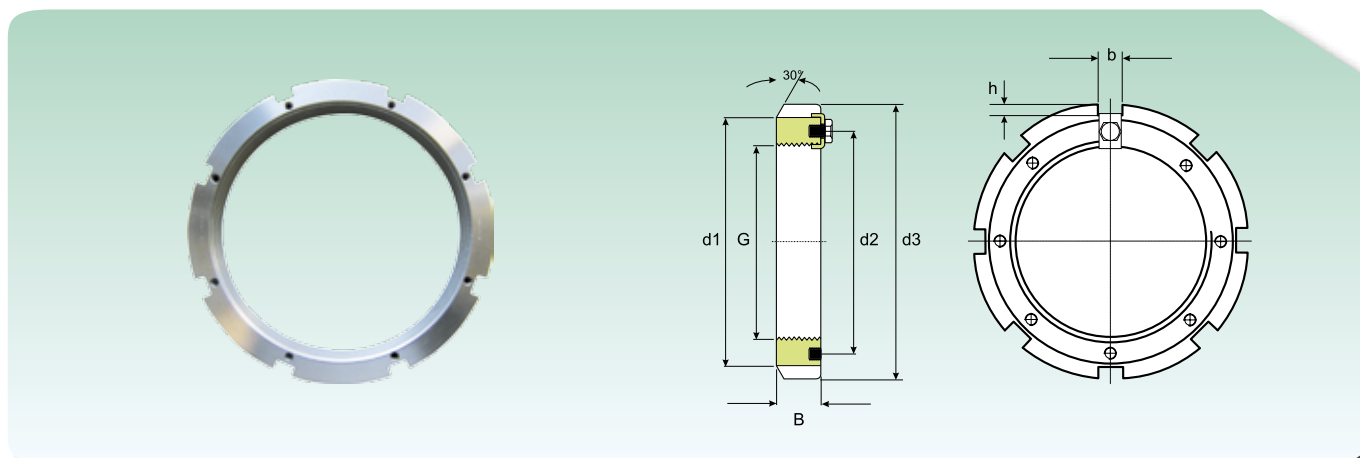


**GHIERE DI BLOCCAGGIO GRAFFA DI FERMO**  
**LOCK NUTS WITH LOCKING CLIPS**


Dimensione Dimension							Peso (Kg) Weight (Kg)	Sigla Designation	
G (mm)	d1 (mm)	d2 (mm)	b (mm)	h (mm)	d3 (mm)	B (mm)		Ghiera Lock nut	Graffa di fermo Locking clip
Tr 220x4	242	229	20	9	260	30	2.75	HM 3044	MS 3044
Tr 240x4	270	253	20	10	290	34	4.5	HM 3048	MS 3052-48
	270	253	20	10	290	34	4.5	HME 3048	MS 3052-48
Tr 260x4	290	273	20	10	310	34	4.8	HM 3052	MS 3052-48
Tr 280x4	310	293	24	10	330	38	5.75	HM 3056	MS 3056
Tr 300x4	336	316	24	12	360	42	8.35	HM 3060	MS 3060
	340	326	24	12	380	40	11.5	HM 3160	MS 3160
Tr 320x5	356	336	24	12	380	42	9	HM 3064	MS 3068-64
	360	346	24	12	400	42	13	HM 3164	MS 3164
Tr 340x5	376	356	24	12	400	45	11	HM 3068	MS 3068-64
	400	373	28	15	440	55	24	HM 3168	MS 3172-68
Tr 360x5	394	375	28	13	420	45	11.5	HM 3072	MS 3072
	420	393	28	15	460	58	26.5	HM 3172	MS 3172-68
Tr 380x5	422	399	28	14	450	48	15	HM 3076	MS 3080-76
	440	415	32	18	490	60	32	HM 3176	MS 3176
Tr 400x5	442	419	28	14	470	52	17	HM 3080	MS 3080-76
	460	440	32	18	520	62	38	HM 3180	MS 3184-80
Tr 420x5	462	439	32	14	490	52	18.5	HM 3084	MS 3084
	462	439	32	14	490	52	18.5	HME 3084	MS 3084
	490	460	32	18	540	70	45	HM 3184	MS 3184-80
Tr 440x5	490	463	32	15	520	60	26	HM 3088	MS 3092-88
	510	478	36	20	560	70	46.5	HM 3188	MS 3192-88
Tr 460x5	510	483	32	15	540	60	27	HM 3092	MS 3092-88
	540	498	36	20	580	75	50.5	HM 3192	MS 3192-88
Tr 480x5	530	503	36	15	560	60	28	HM 3096	MS 30/500-96
	560	528	36	20	620	75	62	HM 3196	MS 3196
Tr 500x5	550	523	36	15	580	68	33.5	HM 30/500	MS 30/500-96
	550	523	36	15	580	68	33.5	HME 30/500	MS 30/500-96
	580	540	40	23	630	80	63.5	HM 31/500	MS 31/500
Tr 530x6	590	558	40	20	630	68	42.5	HM 30/530	MS 30/530
	610	575	40	23	670	80	71.5	HM 31/530	MS 31/600-530
Tr 560x6	610	583	40	20	650	75	44.5	HM 30/560	MS 30/560
	610	583	40	20	650	75	44.5	HME 30/560	MS 30/560
	650	608	45	25	710	85	86.5	HM 31/560	MS 31/600-560
Tr 600x6	660	628	45	20	700	75	52.5	HM 30/600	MS 30/600-530
	660	628	45	20	700	75	52.5	HME 30/600	MS 30/600-530
	690	648	50	25	750	85	91.5	HM 31/600	MS 31/600-560
Tr 630x6	690	658	45	20	730	75	55	HM 30/630	MS 30/630
	730	685	50	28	800	95	125	HM 31/630	MS 31/630

## GHIERE DI BLOCCAGGIO GRAFFA DI FERMO LOCK NUTS WITH LOCKING CLIPS



Dimensione Dimension							Peso (Kg) Weight (Kg)	Sigla Designation	
G (mm)	d1 (mm)	d2 (mm)	b (mm)	h (mm)	d3 (mm)	B (mm)		Ghiera Lock nut	Graffa di fermo Locking clip
<b>Tr 670x6</b>	740	703	50	20	780	80	68.5	<b>HM 30/670</b>	<b>MS 30/670</b>
	775	730	45	28	850	106	155	<b>HM 31/670</b>	<b>MS 31/670</b>
<b>Tr 710x7</b>	780	742	50	25	830	90	91.5	<b>HM 30/710</b>	<b>MS 30/710</b>
	780	742	50	25	830	90	91.5	<b>HME 30/710</b>	<b>MS 30/710</b>
	825	772	55	30	900	106	162	<b>HM 31/710</b>	<b>MS 31/710</b>
<b>Tr 750x7</b>	820	782	55	25	870	90	94	<b>HM 30/750</b>	<b>MS 30/800-750</b>
	820	782	55	25	870	90	94	<b>HME 30/750</b>	<b>MS 30/800-750</b>
	875	813	60	34	950	112	190	<b>HM 31/750</b>	<b>MS 31/800-750</b>
<b>Tr 800x7</b>	870	832	55	25	920	90	99.5	<b>HM 30/800</b>	<b>MS 30/800-750</b>
	925	863	60	34	1000	112	202	<b>HM 31/800</b>	<b>MS 31/800-750</b>
<b>Tr 850x7</b>	925	887	60	25	980	90	115	<b>HM 30/850</b>	<b>MS 30/900-850</b>
	925	887	60	25	980	90	110	<b>HME 30/850</b>	<b>MS 30/900-850</b>
	975	914	70	38	1060	118	234	<b>HM 31/850</b>	<b>MS 31/850</b>
<b>Tr 900x7</b>	975	937	60	25	1030	100	131	<b>HM 30/900</b>	<b>MS 30/900-850</b>
	1030	969	70	38	1120	125	279	<b>HM 31/900</b>	<b>MS 31/900</b>
<b>Tr 950x8</b>	1025	985	60	25	1080	100	139	<b>HM 30/950</b>	<b>MS 30/950</b>
	1080	1017	70	38	1170	125	293	<b>HM 31/950</b>	<b>MS 31/950</b>
<b>Tr 1000x8</b>	1085	1040	60	25	1140	100	157	<b>HM 30/1000</b>	<b>MS 30/1000</b>
	1140	1077	70	38	1240	125	336	<b>HM 31/1000</b>	<b>MS 31/1000</b>
<b>Tr 1060x8</b>	1145	1100	60	25	1200	100	166	<b>HM 30/1060</b>	<b>MS 30/1000</b>
	1210	1137	70	38	1300	125	354	<b>HM 31/1060</b>	<b>MS 31/1000</b>
<b>Tr 1120x8</b>	1205	1160	60	25	1260	100	175	<b>HM 30/1120</b>	<b>MS 30/1000</b>