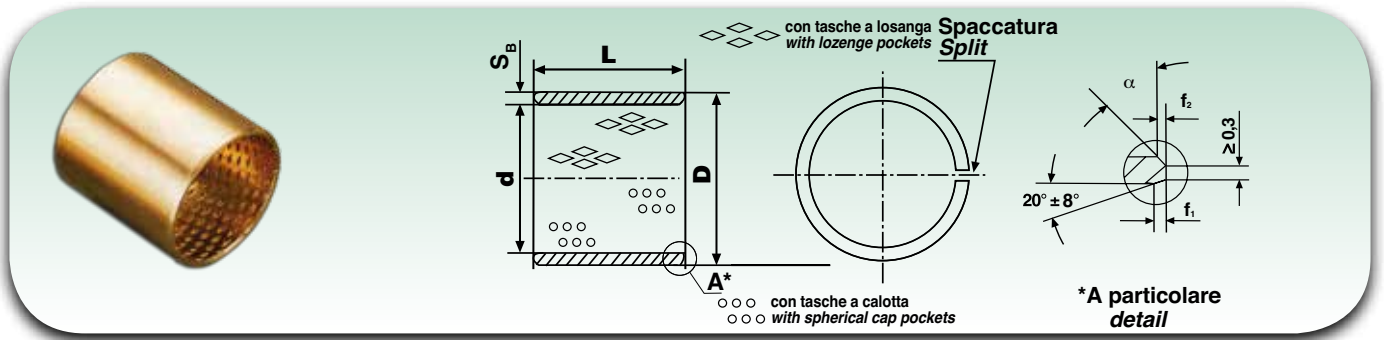


Di dimensioni (mm) Dimensions (mm)		
d	D	L ±0,25
10	12	10
		15
		20
12	14	10
		15
		20
13	15	10
		15
		20
		25
14	16	10
		15
		20
		25
		30
15	17	10
		15
		20
		25
		30
16	18	10
		15
		20
		25
		30
17	19	10
		15
		20
		25
		30
18	20	10
		15
		20
		25
		30
18	21	10
		15
		20
		25
		30
20	22	10
		15
		20
		25
20	23	10
		15
		20
		25
		30
		40

Dimensioni (mm) Dimensions (mm)		
d	D	L ±0,25
22	25	15
		20
		25
		30
		40
24	27	15
		20
		25
		30
		40
24	28	15
		20
		25
		30
		50
		60
25	28	15
		20
		25
		30
		40
		50
28	31	15
		20
		25
		30
		40
		50
28	32	15
		20
		25
		30
		40
		50
30	34	15
		20
		25
		30
		35
		40
32	36	15
		20
		25
		30
		35
		40
32	36	50
		60
		70
		80
		90
		100

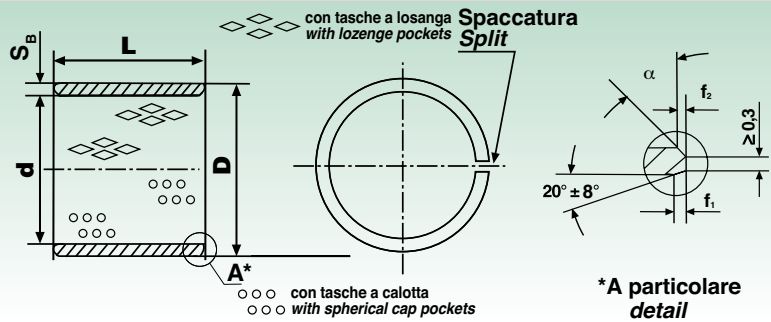
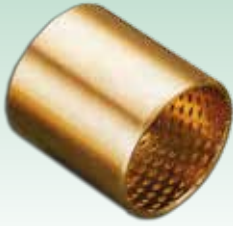
Dimensioni (mm) Dimensions (mm)		
d	D	L ±0,25
35	39	15
		20
		25
		30
		35
		40
40	44	15
		20
		25
		30
		35
		40
45	50	15
		20
		25
		30
		35
		40
50	55	15
		20
		25
		30
		35
		40
55	60	15
		20
		25
		30
		35
		40
60	65	15
		20
		25
		30
		35
		40
60	65	50
		60
		70
		80
		90
		100



Dimensioni (mm) Dimensions (mm)		
d	D	L ± 0,25
60	65	90
65	70	25
		30
		35
		40
		50
		60
		70
70	75	80
		25
		30
		35
		40
		50
		60
75	80	70
		80
		25
		30
		35
		40
		50
80	85	60
		70
		80
		100
		30
		35
		40
85	90	50
		60
		70
		80
		90
		100
		30
90	95	35
		40
		50
		50

Dimensioni (mm) Dimensions (mm)		
d	D	L ± 0,25
90	95	60
		70
		80
		90
		95
		100
95	100	30
		40
		50
		60
		70
		80
100	105	90
		95
		100
		30
		40
		50
105	110	60
		70
		80
		90
		100
		50
110	115	60
		70
		80
		90
		100
		100
115	120	50
		60
		70
		80
		90
		100
120	125	60
		70
		80
		100

Dimensioni (mm) Dimensions (mm)		
d	D	L ± 0,25
125	130	60
		70
		80
		90
		100
130	135	60
		70
		80
		90
		100
135	140	60
		70
		80
		90
		100
140	145	60
		70
		80
		90
		100
145	150	60
		70
		80
		90
		100
150	155	60
		70
		80
		90
		100
155	160	60
		70
		80
		90
		100
160	165	60
		70
		80
		90
		100
165	170	60
		70
		80
		90
		100
170	175	60
		70



Dimensioni (mm) Dimensions (mm)		
d	D	L ± 0,25
170	175	80
		90
		100
175	180	60
		70
		80
		90
		100
180	185	60
		70
		80
		90
185	190	100
		60
		70
		80
		90
190	195	100
		60
		70
		80
195	200	90
		100
		60
		70
		80
200	205	90
		100
		60
		70
205	210	80
		90
		100
		60
		70

Dimensioni (mm) Dimensions (mm)		
d	D	L ± 0,25
210	215	60
		80
		100
215	220	60
		70
		80
		90
		100
220	225	60
		80
		100
		60
225	230	70
		80
		90
		100
		60
230	235	70
		80
		90
		100
235	240	60
		80
		100
		60
		70
240	245	80
		90
		100
		60
245	250	70
		80
		90
		100
		60
250	255	70
		80
		90
		100
255	260	60

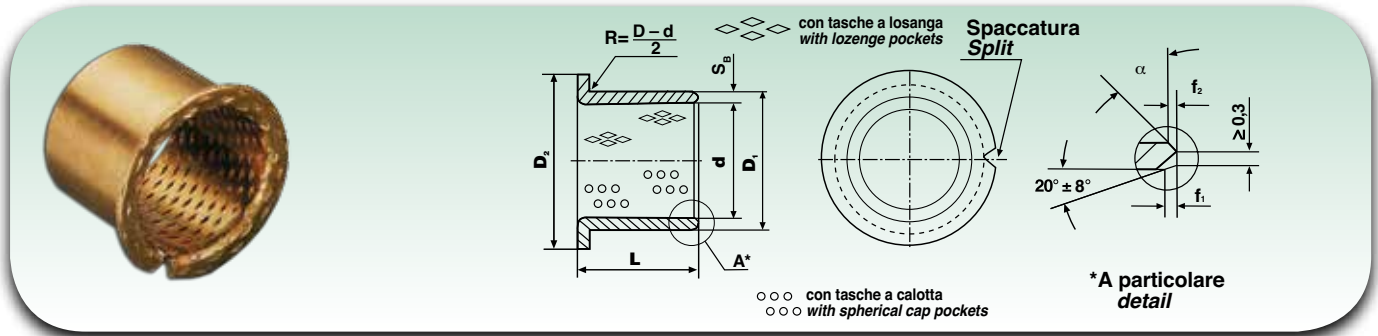
Dimensioni (mm) Dimensions (mm)		
d	D	L ± 0,25
255	260	80
		100
260	265	60
		70
		80
		90
		100
265	270	60
		80
		100
270	275	60
		70
		80
		90
		100
275	280	60
		80
		100
		60
280	285	70
		80
		90
		100
		60
285	290	80
		100
		60
		70
290	295	80
		90
		100
		60
		80
295	300	60
		80
		100
		60
300	305	70
		80
		90
		100
		60

Per ordinare specificare: 090 + d + L + tipo di tasca

To order, please specify: 090 + d + L + pockets type

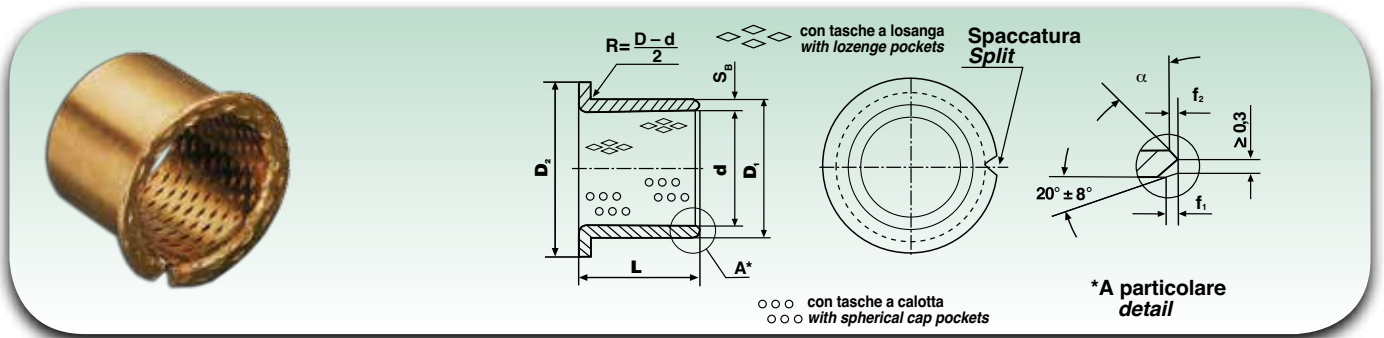
Su richiesta, disponibili con tasche a losanga ed a calotta

Lozenge and spherical cap pockets are available on request



Sigla Designation	Dimensioni (mm) Dimensions (mm)			
	d	D ₁	D ₂ ± 0,50	L ± 0,25
F 12-15	12	14	20	15
F 20-15				15
F 20-20	20	23	30	20
F 25-15				15
F 25-20	25	28	35	20
F 25-25				25
F 30-15				15
F 30-20				20
F 30-25	30	34	45	25
F 30-30				30
F 35-20				20
F 35-25				25
F 35-30	35	39	50	30
F 35-35				35
F 35-45				45
F 40-25				25
F 40-30				30
F 40-35	40	44	55	35
F 40-40				40
F 45-30				30
F 45-35				35
F 45-40	45	50	60	40
F 45-45				45
F 45-50				50
F 45-60				60
F 50-30				30
F 50-35				35
F 50-40	50	55	65	40
F 50-50				50
F 55-20				20
F 55-25				25
F 55-30	55	60	70	30
F 55-35				35
F 55-40				40
F 55-50				50
F 60-20				20
F 60-25				25
F 60-30				30
F 60-35	60	65	75	35
F 60-40				40
F 60-45				45
F 60-50				50
F 60-60				60
F 65-30				30
F 65-35	65	70	80	35
F 65-40				40

Sigla Designation	Dimensioni (mm) Dimensions (mm)			
	d	D ₁	D ₂ ± 0,50	L ± 0,25
F 65-50				50
F 65-60	65	70	80	60
F 70-35				35
F 70-40				40
F 70-50	70	75	85	50
F 70-60				60
F 70-70				70
F 75-35				35
F 75-40				40
F 75-50	75	80	90	50
F 75-60				60
F 75-70				70
F 80-35				35
F 80-40				40
F 80-50	80	85	100	50
F 80-60				60
F 80-70				70
F 80-80				80
F 90-40				40
F 90-50				50
F 90-60	90	95	110	60
F 90-70				70
F 90-80				80
F 90-90				90
F 100-35				35
F 100-50				50
F 100-60	100	105	120	60
F 100-70				70
F 100-80				80
F 100-90				90
F 110-50				50
F 110-60				60
F 110-70	110	115	130	70
F 110-80				80
F 110-90				90
F 120-45				45
F 120-50				50
F 120-60	120	125	140	60
F 120-70				70
F 120-80				80
F 120-90				90
F 130-60				60
F 130-70	130	135	155	70
F 130-80				80
F 130-90				90
F 140-60	140	145	165	60



Sigla Designation	Dimensioni (mm) Dimensions (mm)						
	d	D ₁	D ₂ ± 0,50	L ± 0,25			
F 140-70	140	145	165	70			
F 140-80				80			
F 140-90				90			
F 150-60	150	155	180	60			
F 150-70				70			
F 150-80				80			
F 150-90				90			
F 160-60	160	165	190	60			
F 160-70				70			
F 160-80				80			
F 160-90				90			
F 170-60	170	175	200	60			
F 170-70				70			
F 170-80				80			
F 170-90	170	175	200	90			
F 180-60				180	185	215	60
F 180-70							70
F 180-80	80						
F 180-90	90						
F 190-60	190	195	225	60			
F 190-70				70			
F 190-80				80			
F 190-90	190	195	225	90			
F 200-60				200	205	235	60

Sigla Designation	Dimensioni (mm) Dimensions (mm)						
	d	D ₁	D ₂ ± 0,50	L ± 0,25			
F 200-70	200	205	235	70			
F 200-80				80			
F 200-90				90			
F 225-60	225	230	260	60			
F 225-70				70			
F 225-80				80			
F 225-90				90			
F 250-60	250	255	290	60			
F 250-70				70			
F 250-80				80			
F 250-90				90			
F 265-60	265	270	305	60			
F 265-70				70			
F 265-80				80			
F 265-90	265	270	305	90			
F 285-60				285	290	325	60
F 285-70							70
F 285-80	80						
F 285-90	90						
F 300-60	300	305	340	60			
F 300-70				70			
F 300-80				80			
F 300-90	300	305	340	90			

Per ordinare specificare: 090 + sigla + tipo di tasca

To order, please specify: 090 + designation + pockets type

Su richiesta disponibili con tasche a losanga ed a calotta

Lozenge and spherical cap pockets are available on request

1) Su richiesta disponibili **RALLE TIPO 090**, con tasche a losanga.
Per le misure metriche (vedere a pagina 10), per le misure in pollici (vedere a pagina 17)

1) On request available also **WASHERS TYPE 090**, with lozenge pockets.
For metric dimensions, please (see page 10) and for inch dimensions, please (see page 17).

1) Per ordinare specificare: ralle 090 + d₁

1) To order, please specify: 090 washers + d₁

Per le dimensioni si rimanda alle tabelle di pagina 48-49-50 (boccole cilindriche) e pagina 51-52 (boccole flangiate).

Please find dimensions on pages from 48 to 50 (cylindrical bushes) and pages 51-52 (flanged bushes).

2) Per ordinare specificare: 092 + cilindriche o flangiate + dimensioni

2) To order, please specify: 092 + cylindrical or flanged + dimensions

