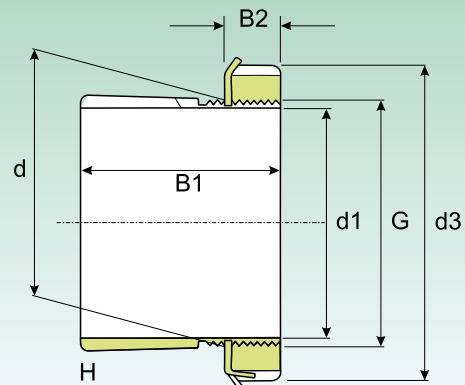
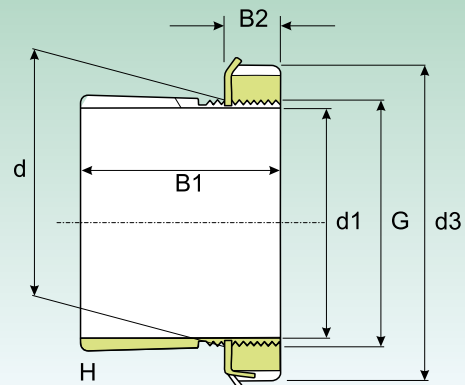


**BUSSOLE DI TRAZIONE  
ADAPTER SLEEVES**


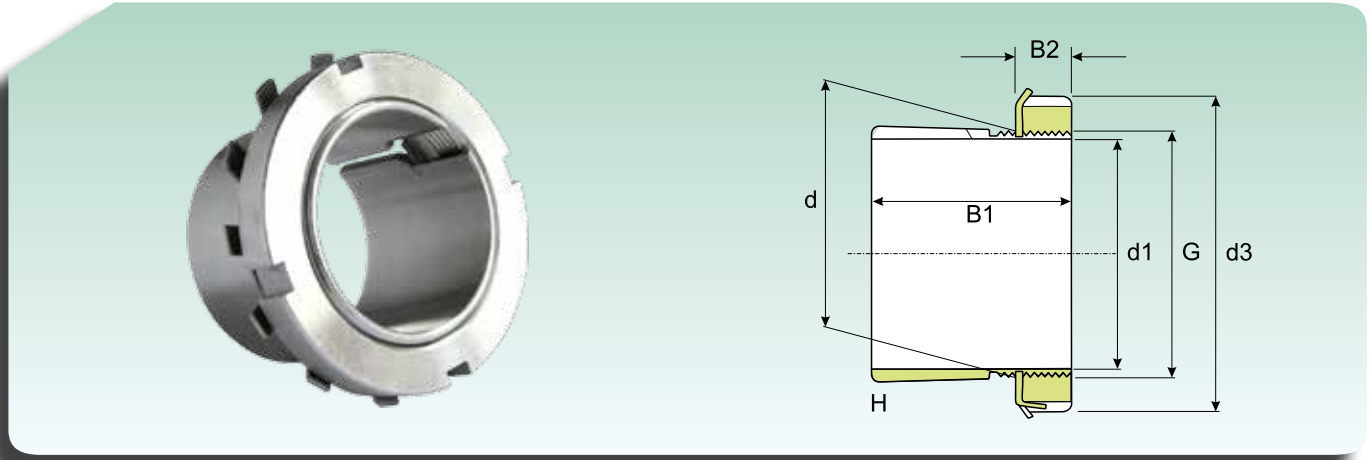
Dimensione Dimension						Peso (kg) Weight (Kg)	Sigla Designation			
d1 (mm)	d (mm)	d3 (mm)	B1 (mm)	B2 (mm)	G (mm)		Bussole di trazione con ghiera e dispositivo di sicurezza Adapter sleeves with lock nut and washer	Ghiera di bloccaggio Lock nut	Dispositivo di sicurezza Washer	Ghiera idraulica Hydraulic Lock nut
17	20	32	24	7	M20x1	0.036	<b>H 204</b>	KM 4	MB 4	-
	20	32	28	7	M20x1	0.04	<b>H 304</b>	KM 4	MB 4	-
20	25	38	26	8	M 25x1.5	0.064	<b>H 205</b>	KM 5	MB 5	-
	25	38	35	8	M 25x1.5	0.085	<b>H 2305</b>	KM 5	MB 5	-
	25	38	29	9	M 25x1.5	0.071	<b>H 305</b>	KM 5	MB 5	-
25	30	45	27	8	M 30x1.5	0.086	<b>H 206</b>	KM 6	MB 6	-
	30	45	38	8	M 30x1.5	0.11	<b>H 2306</b>	KM 6	MB 6	-
	30	45	31	9	M 30x1.5	0.095	<b>H 306</b>	KM 6	MB 6	-
30	35	52	29	9	M 35x1.5	0.12	<b>H 207</b>	KM 7	MB 7	-
	35	52	43	9	M 35x1.5	0.16	<b>H 2307</b>	KM 7	MB 7	-
	35	52	35	10	M 35x1.5	0.14	<b>H 307</b>	KM 7	MB 7	-
35	40	58	31	10	M 40x1.5	0.16	<b>H 208</b>	KM 8	MB 8	-
	40	58	46	10	M 40x1.5	0.22	<b>H 2308</b>	KM 8	MB 8	-
	40	58	36	11	M 40x1.5	0.17	<b>H 308</b>	KM 8	MB 8	-
40	45	65	33	11	M 45x1.5	0.21	<b>H 209</b>	KM 9	MB 9	-
	45	65	50	11	M 45x1.5	0.27	<b>H 2309</b>	KM 9	MB 9	-
	45	65	39	12	M 45x1.5	0.23	<b>H 309</b>	KM 9	MB 9	-
45	50	70	35	12	M 50x1.5	0.24	<b>H 210</b>	KM 10	MB 10	HMV 10 E
	50	70	55	12	M 50x1.5	0.34	<b>H 2310</b>	KM 10	MB 10	HMV 10 E
	50	70	42	13	M 50x1.5	0.27	<b>H 310</b>	KM 10	MB 10	HMV 10 E
50	55	75	37	12.5	M 55x2	0.28	<b>H 211</b>	KM 11	MB 11	HMV 11 E
	55	75	59	12.5	M 55x2	0.39	<b>H 2311</b>	KM 11	MB 11	HMV 11 E
	55	75	45	13	M 55x2	0.34	<b>H 311</b>	KM 11	MB 11	HMV 11 E
55	60	80	38	12.5	M 60x2	0.31	<b>H 212</b>	KM 12	MB 12	HMV 12 E
	60	80	62	12.5	M 60x2	0.45	<b>H 2312</b>	KM 12	MB 12	HMV 12 E
	60	80	47	14	M 60x2	0.36	<b>H 312</b>	KM 12	MB 12	HMV 12 E
60	65	85	40	13.5	M 65x2	0.36	<b>H 213</b>	KM 13	MB 13	HMV 13 E
	65	85	65	13.5	M 65x2	0.52	<b>H 2313</b>	KM 13	MB 13	HMV 13 E
	65	85	50	13.5	M 65x2	0.42	<b>H 313</b>	KM 13	MB 13	HMV 13 E
	70	92	68	13.5	M 70x2	0.88	<b>H 2314</b>	KM 14	MB 14	HMV 14 E
	70	92	52	13.5	M 70x2	0.67	<b>H 314</b>	KM 14	MB 14	HMV 14 E
65	75	98	43	14.5	M 75x2	0.66	<b>H 215</b>	KM 15	MB 15	HMV 15 E
	75	98	73	14.5	M 75x2	1.1	<b>H 2315</b>	KM 15	MB 15	HMV 15 E
	75	98	55	14.5	M 75x2	0.78	<b>H 315</b>	KM 15	MB 15	HMV 15 E
70	80	105	46	17	M 80x2	0.81	<b>H 216</b>	KM 16	MB 16	HMV 16 E
	80	105	78	17	M 80x2	1.2	<b>H 2316</b>	KM 16	MB 16	HMV 16 E
	80	105	59	17	M 80x2	0.95	<b>H 316</b>	KM 16	MB 16	HMV 16 E

## BUSSOLE DI TRAZIONE ADAPTER SLEEVES



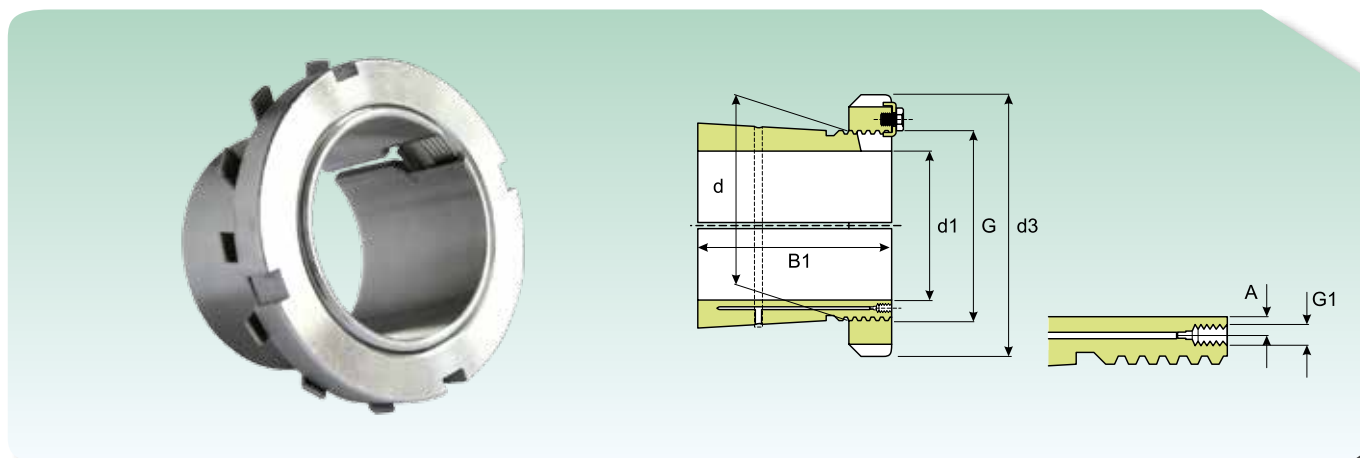
Dimensione Dimension						Peso (kg) Weight (Kg)	Sigla Designation			
d1 (mm)	d (mm)	d3 (mm)	B1 (mm)	B2 (mm)	G (mm)		Bussole di trazione con ghiera e dispositivo di sicurezza Adapter sleeves with lock nut and washer	Ghiera di bloccaggio Lock nut	Dispositivo di sicurezza Washer	Ghiera idraulica Hydraulic Lock nut
75	85	110	50	18	M 85x2	0.94	<b>H 217</b>	KM 17	MB 17	HMV 17 E
	85	110	82	18	M 85x2	1.35	<b>H 2317</b>	KM 17	MB 17	HMV 17 E
	85	110	63	18	M 85x2	1.1	<b>H 317</b>	KM 17	MB 17	HMV 17 E
80	90	120	52	18	M 90x2	1.1	<b>H 218</b>	KM 18	MB 18	HMV 18 E
	90	120	86	18	M 90x2	1.6	<b>H 2318</b>	KM 18	MB 18	HMV 18 E
	90	120	65	18	M 90x2	1.3	<b>H 318</b>	KM 18	MB 18	HMV 18 E
85	95	125	55	19	M 95x2	1.25	<b>H 219</b>	KM 19	MB 19	HMV 19 E
	95	125	90	19	M 95x2	1.8	<b>H 2319</b>	KM 19	MB 19	HMV 19 E
	95	125	68	19	M 95x2	1.4	<b>H 319</b>	KM 19	MB 19	HMV 19 E
90	100	130	58	20	M 100x2	1.4	<b>H 220</b>	KM 20	MB 20	HMV 20 E
	100	130	97	20	M 100x2	2	<b>H 2320</b>	KM 20	MB 20	HMV 20 E
	100	130	76	20	M 100x2	1.8	<b>H 3120</b>	KM 20	MB 20	HMV 20 E
	100	130	71	20	M 100x2	1.6	<b>H 320</b>	KM 20	MB 20	HMV 20 E
100	110	145	63	21	M 110x2	1.8	<b>H 222</b>	KM 22	MB 22	HMV 22 E
	110	145	105	21	M 110x2	2.75	<b>H 2322</b>	KM 22	MB 22	HMV 22 E
	110	145	81	21	M 110x2	2.1	<b>H 3122</b>	KM 22	MB 22	HMV 22 E
	110	145	77	21	M 110x2	2.04	<b>H 322</b>	KM 22	MB 22	HMV 22 E
110	120	145	72	22	M 120x2	1.8	<b>H 3024</b>	KML 24	MBL 24	HMV 24 E
	120	155	112	22	M 120x2	3	<b>H 2324</b>	KM 24	MB 24	HMV 24 E
	120	155	88	22	M 120x2	2.5	<b>H 3124</b>	KM 24	MB 24	HMV 24 E
115	130	155	80	23	M 130x2	2.8	<b>H 3026</b>	KML 26	MBL 26	HMV 26 E
	130	165	121	23	M 130x2	4.45	<b>H 2326</b>	KM 26	MB 26	HMV 26 E
	130	165	92	23	M 130x2	3.45	<b>H 3126</b>	KM 26	MB 26	HMV 26 E
125	140	165	82	24	M 140x2	3.05	<b>H 3028</b>	KML 28	MBL 28	HMV 28 E
	140	180	131	24	M 140x2	5.4	<b>H 2328</b>	KM 28	MB 28	HMV 28 E
	140	180	97	24	M 140x2	4.1	<b>H 3128</b>	KM 28	MB 28	HMV 28 E
135	150	180	87	26	M 150x2	3.75	<b>H 3030</b>	KML 30	MBL 30	HMV 30 E
	150	195	139	26	M 150x2	6.4	<b>H 2330</b>	KM 30	MB 30	HMV 30 E
	150	195	111	26	M 150x2	5.25	<b>H 3130</b>	KM 30	MB 30	HMV 30 E
140	160	190	93	27.5	M 160x3	5.1	<b>H 3032</b>	KML 32	MBL 32	HMV 32 E
	160	210	147	27.5	M 160x3	8.8	<b>H 2332</b>	KM 32	MB 32	HMV 32 E
	160	210	119	27.5	M 160x3	7.25	<b>H 3132</b>	KM 32	MB 32	HMV 32 E
150	170	200	101	28.5	M 170x3	5.8	<b>H 3034</b>	KML 34	MBL 34	HMV 34 E
	170	220	154	28.5	M 170x3	9.9	<b>H 2334</b>	KM 34	MB 34	HMV 34 E
	170	220	122	28.5	M 170x3	8.1	<b>H 3134</b>	KM 34	MB 34	HMV 34 E
160	180	210	109	29.5	M 180x3	6.7	<b>H 3036</b>	KML 36	MBL 36	HMV 36 E
	180	210	87	29.5	M 180x3	5.7	<b>H 3936</b>	KML 36	MBL 36	HMV 36 E
	180	230	161	30	M 180x3	11	<b>H 2336</b>	KM 36	MB 36	HMV 36 E
	180	230	131	29.5	M 180x3	9.15	<b>H 3136</b>	KM 36	MB 36	HMV 36 E

## BUSSOLE DI TRAZIONE ADAPTER SLEEVES

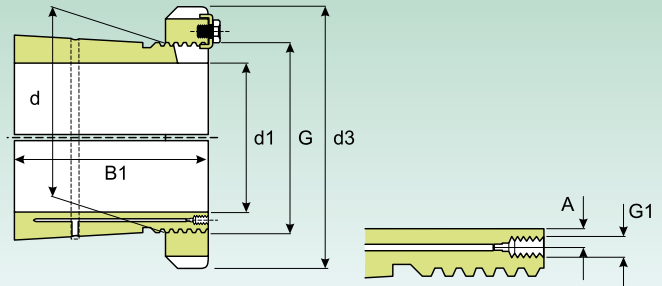


Dimensione Dimension						Peso (kg) Weight (Kg)	Sigla Designation			
d1 (mm)	d (mm)	d3 (mm)	B1 (mm)	B2 (mm)	G (mm)		Bussole di trazione con ghiera e dispositivo di sicurezza Adapter sleeves with lock nut and washer	Ghiera di bloccaggio Lock nut	Dispositivo di sicurezza Washer	Ghiera idraulica Hydraulic Lock nut
<b>170</b>	190	220	112	30.5	M 190x3	7.25	<b>H 3038</b>	KML 38	MBL 38	HMV 38 E
	190	220	89	30.5	M 190x3	6.2	<b>H 3938</b>	KML 38	MBL 38	HMV 38 E
	190	240	169	30.5	M 190x3	12	<b>H 2338</b>	KM 38	MB 38	HMV 38 E
	190	240	141	30.5	M 190x3	10.5	<b>H 3138</b>	KM 38	MB 38	HMV 38 E
<b>180</b>	200	240	120	31.5	M 200x3	8.9	<b>H 3040</b>	KML 40	MBL 40	HMV 40 E
	200	240	98	31.5	M 200x3	7.9	<b>H 3940</b>	KML 40	MBL 40	HMV 40 E
	200	250	176	31.5	M 200x3	13.5	<b>H 2340</b>	KM 40	MB 40	HMV 40 E
	200	250	150	31.5	M 200x3	12	<b>H 3140</b>	KM 40	MB 40	HMV 40 E
<b>200</b>	220	260	126	35	Tr 220x4	9.9	<b>H 3044</b>	KM 44	MB 44	HMV 44 E
	220	260	96	35	Tr 220x4	7.95	<b>H 3944</b>	KM 44	MB 44	HMV 44 E
	220	280	186	35	Tr 220x4	17	<b>H 2344</b>	KM 44	MB 44	HMV 44 E
	220	280	161	35	Tr 220x4	15	<b>H 3144</b>	KM 44	MB 44	HMV 44 E
<b>220</b>	240	290	133	34	Tr 240x4	12	<b>H 3048</b>	KM 48	MB 48	HMV 48 E
	240	290	101	34	Tr 240x4	11	<b>H 3948</b>	KM 48	MB 48	HMV 48 E
	240	300	199	34	Tr 240x4	19	<b>H 2348</b>	KM 48	MB 48	HMV 48 E
	240	300	172	34	Tr 240x4	16.5	<b>H 3148</b>	KM 48	MB 48	HMV 48 E

## BUSSOLE DI TRAZIONE ADAPTER SLEEVES

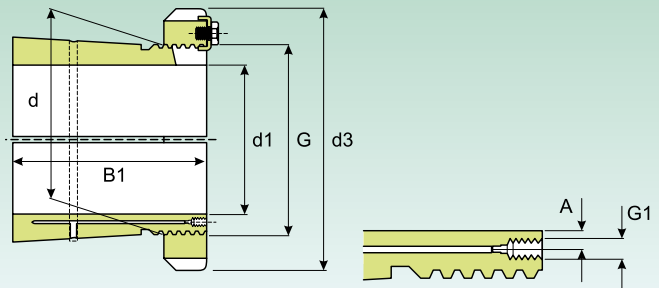


Dimensione Dimension							Peso (kg) Weight (Kg)	Sigla Designation			
d1 (mm)	d (mm)	d3 (mm)	B1 (mm)	A (mm)	G1 (mm)	G (mm)		Bussole di trazione con ghiera e dispositivo di sicurezza Adapter sleeves with lock nut and washer	Ghiera di bloccaggio Lock nut	Dispositivo di sicurezza Washer	Ghiera idraulica Hydraulic Lock nut
200	220	260	96	4.2	M6	Tr 220x4	7.95	OH 3944 H	HM 3044	MS 3044	HMV 44 E
	220	260	126	4.2	M6	Tr 220x4	9.9	OH 3044 H	HM 3044	MS 3044	HMV 44 E
	220	280	161	4.2	M6	Tr 220x4	15	OH 3144 H	HM 3044	MB 44	HMV 44 E
	220	280	186	4.2	M6	Tr 220x4	17	OH 2344 H	HM 3044	MB 44	HMV 44 E
220	240	290	101	4.2	M6	Tr 240x4	11	OH 3948 H	HM 3048	MS 3052-48	HMV 48 E
	240	290	133	4.2	M6	Tr 240x4	12	OH 3048 H	HM 3048	MS 3052-48	HMV 48 E
	240	300	172	4.2	M6	Tr 240x4	16,5	OH 3148 H	HM 3048	MB 48	HMV 48 E
	240	300	199	4.2	M6	Tr 240x4	19	OH 2348 H	HM 3048	MB 48	HMV 48 E
240	260	310	145	4.2	M6	Tr 260x4	13.5	OH 3052 H	HM 3052	MS 3052-48	HMV 52 E
	260	310	116	4.2	M6	Tr 260x4	11.7	OH 3952 H	HM 3052	MS 3052-48	HMV 52 E
	260	330	190	4.2	M6	Tr 260x4	21	OH 3152 H	HM 3052	MB 52	HMV 52 E
260	280	330	152	4.2	M6	Tr 280x4	16	OH 3056 H	HM 3056	MS 3056	HMV 56 E
	280	330	121	4.2	M6	Tr 280x4	15.3	OH 3956 H	HM 3056	MS 3056	HMV 56 E
	280	350	195	4.2	M6	Tr 280x4	23	OH 3156 H	HM 3056	MB 56	HMV 56 E
280	300	360	168	4.2	M6	Tr 300x4	20.5	OH 3060 H	HM 3060	MS 3060	HMV 60 E
	300	360	140	4.2	M6	Tr 300x4	20	OH 3960 H	HM 3060	MS 3060	HMV 60 E
	300	380	208	4.2	M6	Tr 300x4	29	OH 3160 H	HM 3160	MS 3160	HMV 60 E
	300	380	240	4.2	M6	Tr 300x4	32	OH 3260 H	HM 3160	MS 3160	HMV 60 E
300	320	380	171	4	M6	Tr 320x5	22	OH 3064 H	HM 3064	MS 3068-64	HMV 64 E
	320	380	140	4	M6	Tr 320x5	21.5	OH 3964 H	HM 3064	MS 3068-64	HMV 64 E
	320	400	226	4	M6	Tr 320x5	32	OH 3164 H	HM 3164	MS 3164	HMV 64 E
	320	400	258	4	M6	Tr 320x5	35	OH 3264 H	HM 3164	MS 3164	HMV 64 E
320	340	400	187	4	M6	Tr 340x5	27	OH 3068 H	HM 3068	MS 3068-64	HMV 68 E
	340	400	144	4	M6	Tr 340x5	24.5	OH 3968 H	HM 3068	MS 3068-64	HMV 68 E
	340	440	254	4	M6	Tr 340x5	50	OH 3168 H	HM 3168	MS 3172-68	HMV 68 E
	340	440	288	4	M6	Tr 340x5	51.5	OH 3268 H	HM 3168	MS 3172-68	HMV 68 E
340	360	420	188	4	M6	Tr 360x5	29	OH 3072 H	HM 3072	MS 3072	HMV 72 E
	360	420	144	4	M6	Tr 360x5	25.2	OH 3972 H	HM 3072	MS 3072	HMV 72 E
	360	460	259	4	M6	Tr 360x5	56	OH 3172 H	HM 3172	MS 3172-68	HMV 72 E
	360	460	299	4	M6	Tr 360x5	60.5	OH 3272 H	HM 3172	MS 3172-68	HMV 72 E
360	380	450	193	4	M6	Tr 380x5	35.5	OH 3076 H	HM 3076	MS 3080-76	HMV 76 E
	380	490	264	4	M6	Tr 380x5	61.5	OH 3176 H	HM 3176	MS 3176	HMV 76 E
	380	490	310	4	M6	Tr 380x5	69.5	OH 3276 H	HM 3176	MS 3176	HMV 76 E
380	400	470	210	4	M6	Tr 400x5	40	OH 3080 H	HM 3080	MS 3080-76	HMV 80 E
	400	470	168	4	M6	Tr 400x5	35	OH 3980 H	HM 3080	MS 3080-76	HMV 80 E
	400	520	272	4	M6	Tr 400x5	73	OH 3180 H	HM 3180	MS 3184-80	HMV 80 E
	400	520	328	4	M6	Tr 400x5	87	OH 3280 H	HM 3180	MS 3184-80	HMV 80 E
400	420	490	212	4	M6	Tr 420x5	47	OH 3084 H	HM 3084	MS 3084	HMV 84 E
	420	490	168	4	M6	Tr 420x5	36	OH 3984 H	HM 3084	MS 3084	HMV 84 E
	420	540	304	4	M6	Tr 420x5	80	OH 3184 H	HM 3184	MS 3184-80	HMV 84 E
	420	540	352	4	M6	Tr 420x5	96	OH 3284 H	HM 3184	MS 3184-80	HMV 84 E

**BUSSOLE DI TRAZIONE  
ADAPTER SLEEVES**


Dimensione Dimension							Peso (kg) Weight (Kg)	Sigla Designation			
d1 (mm)	d (mm)	d3 (mm)	B1 (mm)	A (mm)	G1 (mm)	G (mm)		Bussole di trazione con ghiera e dispositivo di sicurezza Adapter sleeves with lock nut and washer	Ghiera di bloccaggio Lock nut	Dispositivo di sicurezza Washer	Ghiera idraulica Hydraulic Lock nut
<b>410</b>	440	520	228	6.5	M8	Tr 440x5	65	<b>OH 3088 H</b>	HM 3088	<b>MS 3092-88</b>	<b>HMV 88 E</b>
	440	520	189	6.5	M8	Tr 440x5	58	<b>OH 3988 H</b>	HM 3088	<b>MS 3092-88</b>	<b>HMV 88 E</b>
	440	560	307	6.5	M8	Tr 440x5	95	<b>OH 3188 H</b>	HM 3188	<b>MS 3192-88</b>	<b>HMV 88 E</b>
	440	560	361	6.5	M8	Tr 440x5	117	<b>OH 3288 H</b>	HM 3188	<b>MS 3192-88</b>	<b>HMV 88 E</b>
<b>430</b>	460	540	234	6.5	M8	Tr 460x5	71	<b>OH 3092 H</b>	HM 3092	<b>MS 3092-88</b>	<b>HMV 92 E</b>
	460	540	189	6.5	M8	Tr 460x5	60	<b>OH 3992 H</b>	HM 3092	<b>MS 3092-88</b>	<b>HMV 92 E</b>
	460	580	326	6.5	M8	Tr 460x5	119	<b>OH 3192 H</b>	HM 3192	<b>MS 3192-88</b>	<b>HMV 92 E</b>
	460	580	382	6.5	M8	Tr 460x5	134	<b>OH 3292 H</b>	HM 3192	<b>MS 3192-88</b>	<b>HMV 92 E</b>
<b>450</b>	480	560	237	6.5	M8	Tr 480x5	75	<b>OH 3096 H</b>	HM 3096	<b>MS 30/500-96</b>	<b>HMV 96 E</b>
	480	560	200	6.5	M8	Tr 480x5	66	<b>OH 3996 H</b>	HM 3096	<b>MS 30/500-96</b>	<b>HMV 96 E</b>
	480	620	335	6.5	M8	Tr 480x5	135	<b>OH 3196 H</b>	HM 3196	<b>MS 3196</b>	<b>HMV 96 E</b>
	480	620	397	6.5	M8	Tr 480x5	153	<b>OH 3296 H</b>	HM 3196	<b>MS 3196</b>	<b>HMV 96 E</b>
<b>470</b>	500	580	247	6.5	M8	Tr 500x5	82	<b>OH 30/500 H</b>	HM 30/500	<b>MS 30/500-96</b>	<b>HMV 100 E</b>
	500	580	208	6.5	M8	Tr 500x5	74.3	<b>OH 39/500 H</b>	HM 30/500	<b>MS 30/500-96</b>	<b>HMV 100 E</b>
	500	630	356	6.5	M8	Tr 500x5	145	<b>OH 31/500 H</b>	HM 31/500	<b>MS 31/500</b>	<b>HMV 100 E</b>
	500	630	428	6	M8	Tr 500x5	170	<b>OH 32/500 H</b>	HM 31/500	<b>MS 31/500</b>	<b>HMV 100 E</b>
<b>500</b>	530	630	265	6	M8	Tr 530x6	105	<b>OH 30/530 H</b>	HM 30/530	<b>MS 30/600-530</b>	<b>HMV 106 E</b>
	530	630	216	6	M8	Tr 530x6	87.9	<b>OH 39/530 H</b>	HM 30/530	<b>MS 30/600-530</b>	<b>HMV 106 E</b>
	530	670	364	6	M8	Tr 530x6	161	<b>OH 31/530 H</b>	HM 31/530	<b>MS 31/530</b>	<b>HMV 106 E</b>
	530	670	447	6	M8	Tr 530x6	192	<b>OH 32/530 H</b>	HM 31/530	<b>MS 31/530</b>	<b>HMV 106 E</b>
<b>530</b>	560	650	282	6	M8	Tr 560x6	112	<b>OH 30/560 H</b>	HM 30/560	<b>MS 30/560</b>	<b>HMV 112 E</b>
	560	650	227	6	M8	Tr 560x6	95	<b>OH 39/560 H</b>	HM 30/560	<b>MS 30/560</b>	<b>HMV 112 E</b>
	560	710	377	6	M8	Tr 560x6	185	<b>OH 31/560 H</b>	HM 31/560	<b>MS 31/600-560</b>	<b>HMV 112 E</b>
	560	710	462	6	M8	Tr 560x6	219	<b>OH 32/560 H</b>	HM 31/560	<b>MS 31/600-560</b>	<b>HMV 112 E</b>
<b>560</b>	600	700	289	8	G 1/8	Tr 600x6	147	<b>OH 30/600 H</b>	HM 30/600	<b>MS 30/600-530</b>	<b>HMV 120 E</b>
	600	700	239	8	G 1/8	Tr 600x6	127	<b>OH 39/600 H</b>	HM 30/600	<b>MS 30/600-530</b>	<b>HMV 120 E</b>
	600	750	399	8	G 1/8	Tr 600x6	234	<b>OH 31/600 H</b>	HM 31/600	<b>MS 31/600-560</b>	<b>HMV 120 E</b>
	600	750	487	8	G 1/8	Tr 600x6	278	<b>OH 32/600 H</b>	HM 31/600	<b>MS 31/600-560</b>	<b>HMV 120 E</b>
<b>600</b>	630	730	301	6	M8	Tr 630x6	138	<b>OH 30/630 H</b>	HM 30/630	<b>MS 30/630</b>	<b>HMV 126 E</b>
	630	730	254	6	M8	Tr 630x6	124	<b>OH 39/630 H</b>	HM 30/630	<b>MS 30/630</b>	<b>HMV 126 E</b>
	630	800	424	6	M8	Tr 630x6	254	<b>OH 31/630 H</b>	HM 31/630	<b>MS 31/630</b>	<b>HMV 126 E</b>
<b>630</b>	670	780	324	8	G 1/8	Tr 670x6	190	<b>OH 30/670 H</b>	HM 30/670	<b>MS 30/670</b>	<b>HMV 134 E</b>
	670	780	264	8	G 1/8	Tr 670x6	162	<b>OH 39/670 H</b>	HM 30/670	<b>MS 30/670</b>	<b>HMV 134 E</b>
	670	850	456	8	G 1/8	Tr 670x6	340	<b>OH 31/670 H</b>	HM 31/670	<b>MS 31/670</b>	<b>HMV 134 E</b>
	670	850	558	8	G 1/8	Tr 670x6	401	<b>OH 32/670 H</b>	HM 31/670	<b>MS 31/670</b>	<b>HMV 134 E</b>
<b>670</b>	710	830	342	8	G 1/8	Tr 710x7	228	<b>OH 30/710 H</b>	HM 30/710	<b>MS 30/710</b>	<b>HMV 142 E</b>
	710	830	286	8	G 1/8	Tr 710x7	183	<b>OH 39/710 H</b>	HM 30/710	<b>MS 30/710</b>	<b>HMV 142 E</b>
	710	900	467	8	G 1/8	Tr 710x7	392	<b>OH 31/710 H</b>	HM 31/710	<b>MS 31/710</b>	<b>HMV 142 E</b>
	710	900	572	8	G 1/8	Tr 710x7	459	<b>OH 32/710 H</b>	HM 31/710	<b>MS 31/710</b>	<b>HMV 142 E</b>
<b>710</b>	750	870	356	8	G 1/8	Tr 750x7	246	<b>OH 30/750 H</b>	HM 30/750	<b>MS 30/800-750</b>	<b>HMV 150 E</b>
	750	870	291	8	G 1/8	Tr 750x7	211	<b>OH 39/750 H</b>	HM 30/750	<b>MS 30/800-750</b>	<b>HMV 150 E</b>
	750	950	493	8	G 1/8	Tr 750x7	451	<b>OH 31/750 H</b>	HM 31/750	<b>MS 31/800-750</b>	<b>HMV 150 E</b>
	750	950	603	8	G 1/8	Tr 750x7	526	<b>OH 32/750 H</b>	HM 31/750	<b>MS 31/800-750</b>	<b>HMV 150 E</b>

## BUSSOLE DI TRAZIONE ADAPTER SLEEVES



Dimensione Dimension							Peso (kg) Weight (Kg)	Sigla Designation			
d1 (mm)	d (mm)	d3 (mm)	B1 (mm)	A (mm)	G1 (mm)	G (mm)		Bussole di trazione con ghiera e dispositivo di sicurezza Adapter sleeves with lock nut and washer	Ghiera di bloccaggio Lock nut	Dispositivo di sicurezza Washer	Ghiera idraulica Hydraulic Lock nut
<b>750</b>	800	920	366	10	G 1/8	Tr 800x7	302	<b>OH 30/800 H</b>	HM 30/800	<b>MS 30/800-750</b>	<b>HMV 160 E</b>
	800	920	303	10	G 1/8	Tr 800x7	259	<b>OH 39/800 H</b>	HM 30/800	<b>MS 30/800-750</b>	<b>HMV 160 E</b>
	800	1000	505	10	G 1/8	Tr 800x7	535	<b>OH 31/800 H</b>	HM 31/800	<b>MS 31/800-750</b>	<b>HMV 160 E</b>
	800	1000	618	10	G 1/8	Tr 800x7	629	<b>OH 32/800 H</b>	HM 31/800	<b>MS 31/800-750</b>	<b>HMV 160 E</b>
<b>800</b>	850	980	380	10	G 1/8	Tr 850x7	341	<b>OH 30/850 H</b>	HM 30/850	<b>MS 30/900-850</b>	<b>HMV 170 E</b>
	850	980	308	10	G 1/8	Tr 850x7	288	<b>OH 39/850 H</b>	HM 30/850	<b>MS 30/900-850</b>	<b>HMV 170 E</b>
	850	1060	536	10	G 1/8	Tr 850x7	616	<b>OH 31/850 H</b>	HM 31/850	<b>MS 31/850</b>	<b>HMV 170 E</b>
	850	1060	651	10	G 1/8	Tr 850x7	722	<b>OH 32/850 H</b>	HM 31/850	<b>MS 31/850</b>	<b>HMV 170 E</b>
<b>850</b>	900	1030	400	10	G 1/8	Tr 900x7	387	<b>OH 30/900 H</b>	HM 30/900	<b>MS 30/900-850</b>	<b>HMV 180 E</b>
	900	1030	326	10	G 1/8	Tr 900x7	330	<b>OH 39/900 H</b>	HM 30/900	<b>MS 30/900-850</b>	<b>HMV 180 E</b>
	900	1120	557	10	G 1/8	Tr 900x7	677	<b>OH 31/900 H</b>	HM 31/900	<b>MS 31/900</b>	<b>HMV 180 E</b>
	900	1120	660	10	G 1/8	Tr 900x7	776	<b>OH 32/900 H</b>	HM 31/900	<b>MS 31/900</b>	<b>HMV 180 E</b>
<b>900</b>	950	1080	420	10	G 1/8	Tr 950x8	424	<b>OH 30/950 H</b>	HM 30/950	<b>MS 30/950</b>	<b>HMV 190 E</b>
	950	1080	344	10	G 1/8	Tr 950x8	362	<b>OH 39/950 H</b>	HM 30/950	<b>MS 30/950</b>	<b>HMV 190 E</b>
	950	1170	583	10	G 1/8	Tr 950x8	738	<b>OH 31/950 H</b>	HM 31/950	<b>MS 31/950</b>	<b>HMV 190 E</b>
	950	1170	675	10	G 1/8	Tr 950x8	834	<b>OH 32/950 H</b>	HM 31/950	<b>MS 31/950</b>	<b>HMV 190 E</b>
<b>950</b>	1000	1140	430	12	G 1/8	Tr 1000x8	470	<b>OH 30/1000 H</b>	HM 30/1000	<b>MS 30/1000</b>	<b>HMV 200 E</b>
	1000	1140	358	12	G 1/8	Tr 1000x8	407	<b>OH 39/1000 H</b>	HM 30/1000	<b>MS 30/1000</b>	<b>HMV 200 E</b>
	1000	1240	609	12	G 1/8	Tr 1000x8	842	<b>OH 31/1000 H</b>	HM 31/1000	<b>MS 31/1000</b>	<b>HMV 200 E</b>
	1000	1240	707	12	G 1/8	Tr 1000x8	952	<b>OH 32/1000 H</b>	HM 31/1000	<b>MS 31/1000</b>	<b>HMV 200 E</b>
<b>1000</b>	1060	1200	447	12	G 1/8	Tr 1060x8	571	<b>OH 30/1060 H</b>	HM 30/1060	<b>MS 30/1000</b>	<b>HMV 212 E</b>
	1060	1200	372	12	G 1/8	Tr 1060x8	490	<b>OH 39/1060 H</b>	HM 30/1060	<b>MS 30/1000</b>	<b>HMV 212 E</b>
	1060	1300	622	12	G 1/8	Tr 1060x8	984	<b>OH 31/1060 H</b>	HM 31/1060	<b>MS 31/1000</b>	<b>HMV 212 E</b>