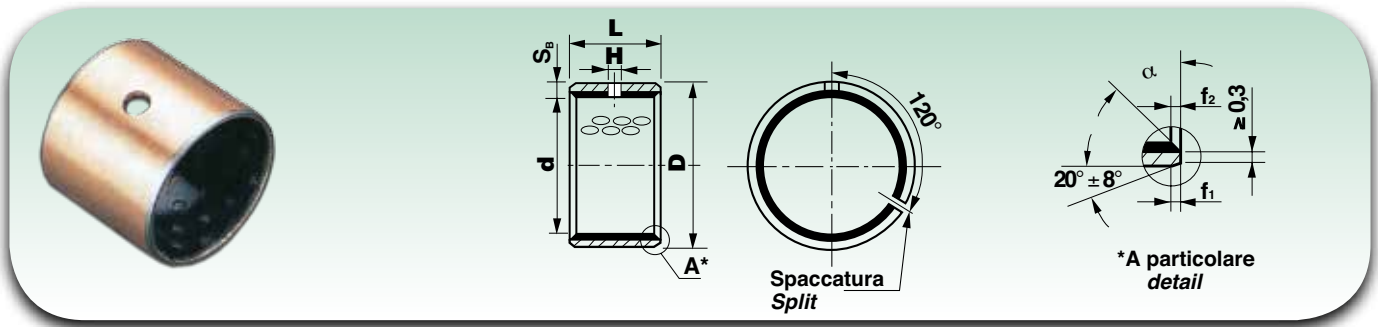


Dimensioni (mm) Dimensions (mm)			
d	D	L ^{±0,25}	H min
6	8	8	⊛
		10	
7	9	10	⊛
		10	
8	10	8	3
		10	
		12	
10	12	8	3
		10	
		12	
		15	
12	14	10	3
		12	
		15	
		20	
13	15	10	3
		10	
		12	
		25	
14	16	14	3
		15	
		20	
		22	
		25	
15	17	10	3
		12	
		15	
		20	
16	18	10	3
		12	
		15	
		16	
		20	
18	20	15	3
		18	
		20	
		25	
		25	
20	23	10	3
		12	
		15	
		17	
		20	
		25	
22	25	15	3
		20	
		22	
		25	
		30	
24	27	15	4
		20	
		20	

Dimensioni (mm) Dimensions (mm)			
d	D	L ^{±0,25}	H min
24	27	25	4
		30	
25	28	10	4
		15	
		20	
		25	
		30	
		40	
		50	
28	31	30	4
28	32	20	4
		25	
		28	
		30	
30	34	15	4
		20	
		25	
		30	
		40	
32	36	20	4
		25	
		30	
		35	
		40	
35	39	15	4
		20	
		25	
		30	
		35	
		40	
36	40	35	4
37	41	20	4
		30	
40	44	20	4
		25	
		30	
		40	
		50	
45	50	20	5
		25	
		30	
		35	
		40	
		45	
		50	
		55	
50	55	20	5
		25	
		30	
		40	
		50	
		55	

Dimensioni (mm) Dimensions (mm)			
d	D	L ^{±0,25}	H min
50	55	60	5
55	60	20	6
		25	
		30	
		40	
		50	
		55	
60	65	30	6
		40	
		50	
		60	
65	70	30	6
		40	
		50	
		60	
70	75	30	6
		40	
		50	
		60	
		65	
		70	
75	80	40	6
		60	
		75	
		80	
		80	
80	85	40	6
		50	
		55	
		60	
		80	
		100	
85	90	30	6
		40	
		50	
		60	
		80	
		85	
		100	
90	95	40	6
		60	
		80	
		90	
95	100	30	6
		60	
		100	
100	105	30	6

⊛ senza foro di lubrificazione - without lubrication hole



Dimensioni (mm) Dimensions (mm)			
d	D	L ^{±0,25}	H min
100	105	40	6
		50	
		60	
		80	
		90	
		95	
		100	
115			
105	110	50	7
		60	
		80	
		95	
		105	
110			
115			
110	115	30	7
		50	
		60	
		80	
		95	
		110	
115			
115	120	50	7
120	125	40	7
		60	
		80	
		100	
		110	
		120	
125	130	50	7
		60	
		80	
		100	
		110	
125			
130	135	50	7
		60	
		80	

Dimensioni (mm) Dimensions (mm)			
d	D	L ^{±0,25}	H min
130	135	100	7
		130	
135	140	30	7
		60	
		80	
140	145	50	7
		60	
		80	
		100	
140			
150	155	50	7
		60	
		80	
		100	
		150	
160	165	50	7
		60	
		80	
		100	
		160	
170	175	50	7
		80	
		100	
		170	
180	185	50	7
		60	
		80	
		100	
		180	
190	195	50	7
		60	
		80	
		100	
		120	
		190	
200	205	50	7
		60	
		80	

Dimensioni (mm) Dimensions (mm)			
d	D	L ^{±0,25}	H min
200	205	100	7
		120	
		200	
220	225	50	7
		60	
		80	
		100	
		120	
		220	
240	245	50	7
		60	
		80	
		100	
		120	
		240	
250	255	50	7
		60	
		80	
		100	
		120	
		250	
260	265	50	7
		60	
		80	
		100	
		120	
		260	
280	285	50	7
		60	
		80	
		100	
		280	
300	305	50	7
		60	
		80	
		100	
		300	

Per ordinare specificare: SF-2 + d + L

To order, please specify: SF-2 + d + L

Tolleranze di montaggio raccomandate:

Recommended mounting tolerances:

Albero:

h 8

Foro:

≤ 4 = H 6

> 4 = H 7

Shaft:

h 8

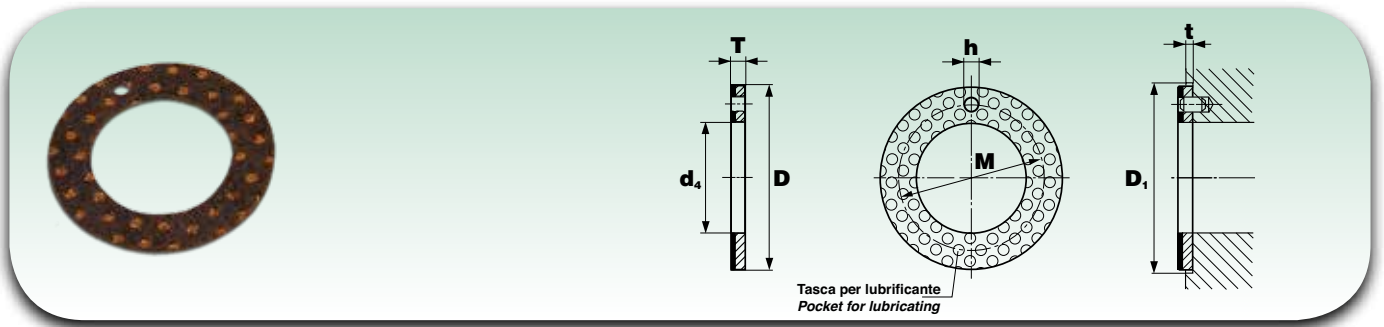
Bore:

≤ 4 = H 6

> 4 = H 7

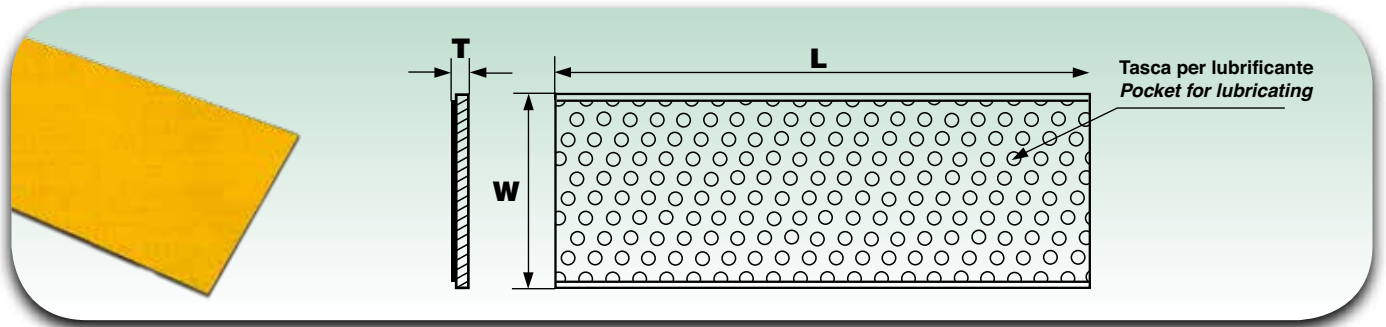
Possono essere fornite boccole a disegno per quantità

Bushes made according drawings can be supplied if large quantities are ordered.



Sigla Designation	Dimensioni (mm) Dimensions (mm)				Dimensioni di montaggio (mm) Mounting dimensions (mm)		
	$d_4^{+0,25}$	$D^{-0,25}$	$T^{-0,05}$	$M^{\pm 0,15}$	$h^{+0,4}_{+0,1}$	$t^{\pm 0,2}$	$D_1^{+0,12}$
WC-2 10	10	20	1.5	15	1,5	1	20
WC-2 12	12	24	1.5	18	1,5	1	24
WC-2 14	14	26	1.5	20	2	1	26
WC-2 16	16	30	1.5	23	2	1	30
WC-2 18	18	32	1.5	25	2	1	32
WC-2 20	20	36	1.5	28	3	1	36
WC-2 22	22	38	1.5	30	3	1	38
WC-2 24	24	42	1.5	33	3	1	42
WC-2 26	26	44	1.5	35	3	1	44
WC-2 28	28	48	1.5	38	4	1	48
WC-2 32	32	54	1.5	43	4	1	54
WC-2 38	38	62	1.5	50	4	1	62
WC-2 42	42	66	1.5	54	4	1	66
WC-2 48	48	74	2	61	4	1,5	74
WC-2 52	52	78	2	65	4	1,5	78
WC-2 62	62	90	2	76	4	1,5	90

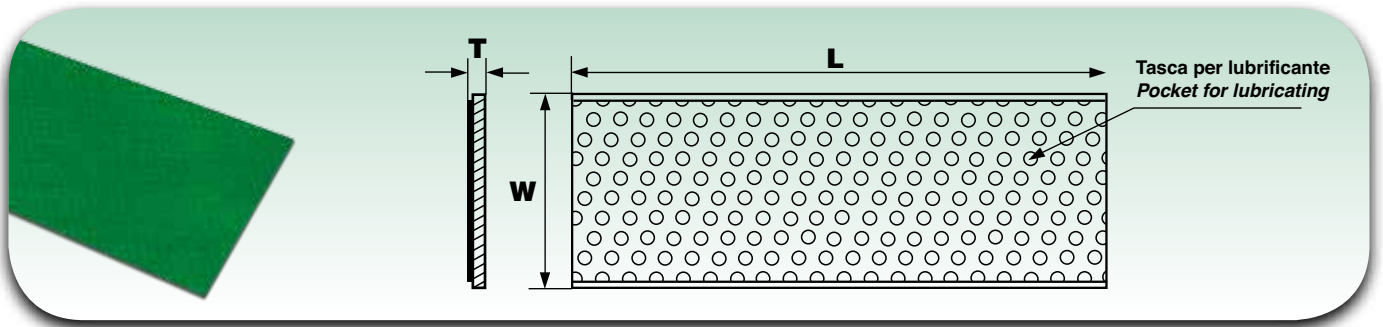
Per ordinare specificare: sigla
To order, please specify: designation
Le tolleranze riportate in questa pagina rispettano la norma ISO 6525:1983
The tolerance values given on this page comply with standard ISO 6525:1983



Sigla <i>Designation</i>	Dimensioni (mm) - <i>Dimensions (mm)</i>		
	Lunghezza <i>Length</i> $L \pm 1$	Altezza <i>Width</i> $W \pm 1$	Spessore <i>Thickness</i> $T^{-0,05}$
NSTR-1 10120	500	120	0,99
NSTR-1 10180	500	180	0,99
NSTR-1 15180	500	180	1,48
NSTR-1 20180	500	180	1,97
NSTR-1 25180	500	180	2,46

Per ordinare specificare: sigla

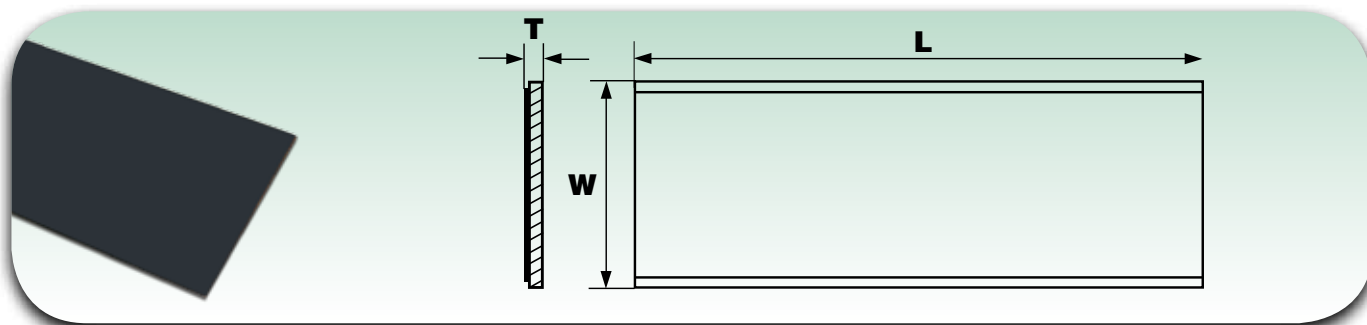
To order, please specify: designation



Sigla <i>Designation</i>	Dimensioni (mm) - <i>Dimensions (mm)</i>		
	Lunghezza <i>Length</i> L ± 1	Altezza <i>Width</i> W ± 1	Spessore <i>Thickness</i> T $-0,05$
NSTR-2 10120	500	120	1,11
NSTR-2 10180	500	180	1,11
NSTR-2 15180	500	180	1,61
NSTR-2 20180	500	180	2,11
NSTR-2 25180	500	180	2,63

Per ordinare specificare: sigla

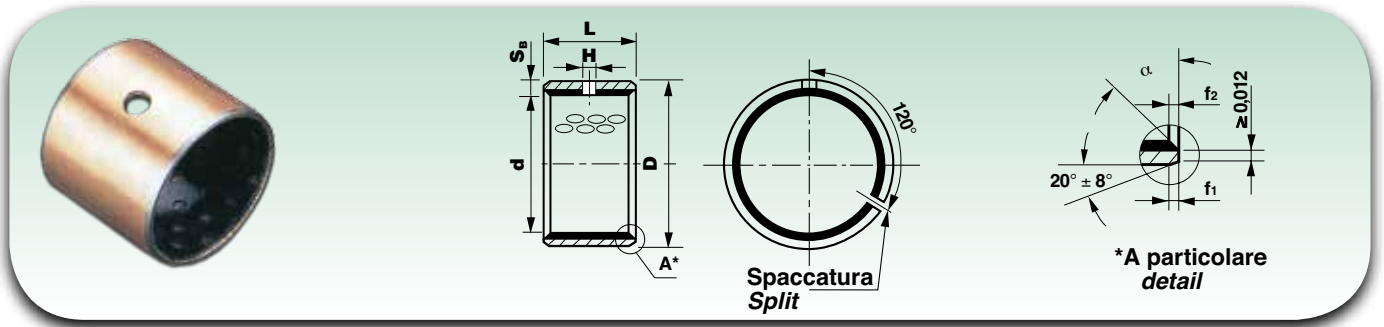
To order, please specify: designation



Sigla <i>Designation</i>	Dimensioni (mm) - <i>Dimensions (mm)</i>		
	Lunghezza <i>Length</i> $L^{\pm 1}$	Altezza <i>Width</i> $W^{\pm 1}$	Spessore <i>Thickness</i> $T^{-0,05}$
NSTR-3 10120	500	120	1,11
NSTR-3 10180	500	180	1,11
NSTR-3 15180	500	180	1,61
NSTR-3 20180	500	180	2,11
NSTR-3 25180	500	180	2,63

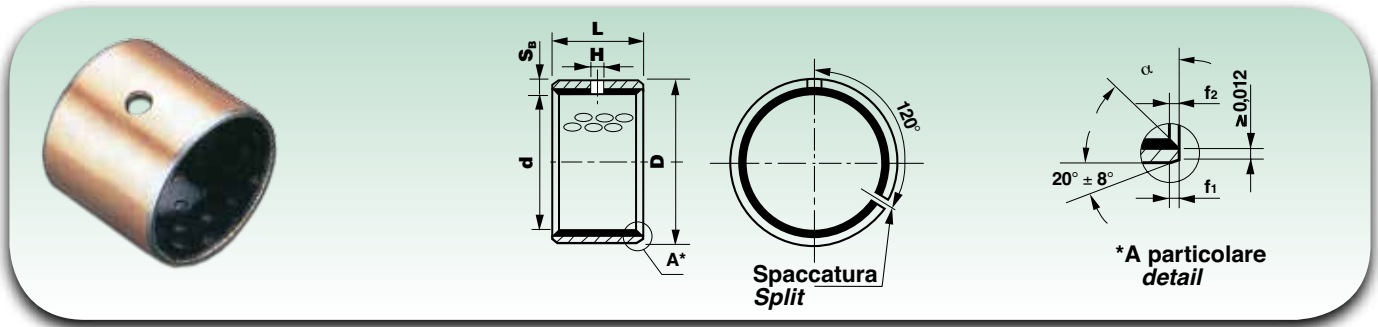
Per ordinare specificare: sigla

To order, please specify: designation



Sigla Designation	Dimensioni (pollici/mm) Dimensions (inches/mm)							
	d		D		L ±0,010"		H	
	inch.	mm	inch.	mm	inch.	mm	inch.	mm
3/8 - 3/8	3/8	9,53	15/32	11,91	3/8	9,53	5/32	3,97
3/8 - 1/2					1/2	12,70		
3/8 - 3/4					3/4	19,05		
7/16 - 1/2	7/16	11,11	17/32	13,49	1/2	12,70	5/32	3,97
7/16 - 3/4					3/4	19,05		
1/2 - 3/8					3/8	9,53		
1/2 - 1/2	1/2	12,70	19/32	15,08	1/2	12,70	5/32	3,97
1/2 - 5/8					5/8	15,88		
1/2 - 7/8					7/8	22,23		
9/16 - 1/2					1/2	12,70		
9/16 - 3/4	9/16	14,29	21/32	16,67	3/4	19,05	5/32	3,97
5/8 - 1/2					1/2	12,70		
5/8 - 5/8					5/8	15,88		
5/8 - 3/4	5/8	15,88	23/32	18,26	3/4	19,05	5/32	3,97
5/8 - 7/8					7/8	22,23		
11/16 - 7/8					7/8	22,23		
3/4 - 1/2	3/4	19,05	7/8	22,23	1/2	12,70	5/32	3,97
3/4 - 3/4					3/4	19,05		
3/4 - 1					1	25,40		
7/8 - 3/4	7/8	22,23	1	25,40	3/4	19,05	5/32	3,97
7/8 - 7/8					7/8	22,23		
7/8 - 1					1	25,40		
1 - 3/4	1	25,40	1 1/8	28,58	3/4	19,05	5/32	3,97
1 - 1					1	25,40		
1 - 1 1/2					1 1/2	38,10		
1 1/8 - 3/4	1 1/8	28,58	1 9/32	32,54	3/4	19,05	1/4	6,35
1 1/8 - 1					1	25,40		
1 1/4 - 3/4					3/4	19,05		
1 1/4 - 1	1 1/4	31,75	1 13/32	35,72	1	25,40	1/4	6,35
1 1/4 - 1 1/4					1 1/4	31,75		
1 1/4 - 1 3/4					1 3/4	44,45		
1 3/8 - 1	1 3/8	34,93	1 17/32	38,89	1	25,40	1/4	6,35
1 3/8 - 1 3/8					1 3/8	34,93		
1 3/8 - 1 1/2					1 1/2	38,10		
1 3/8 - 1 3/4					1 3/4	44,45		
1 1/2 - 1	1 1/2	38,10	1 21/32	42,07	1	25,40	1/4	6,35
1 1/2 - 1 1/4					1 1/4	31,75		
1 1/2 - 1 1/2					1 1/2	38,10		

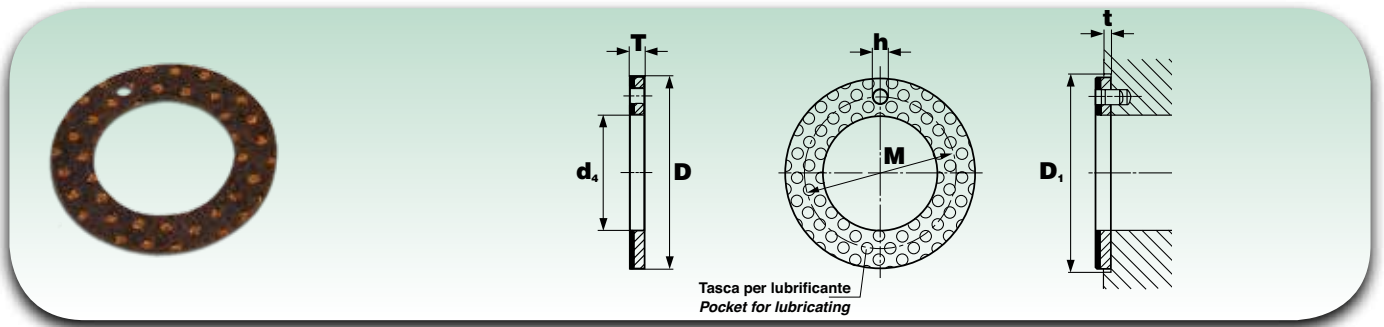
Per ordinare specificare: SF-2 + sigla
To order, please specify: SF-2 + designation



Sigla Designation	Dimensioni (pollici/mm) Dimensions (inches/mm)									
	d		D		L ±0,010"		H			
	inch.	mm	inch.	mm	inch.	mm	inch.	mm		
1 1/2 - 2	1 1/2	38,10	1 21/32	42,07	2	50,80	1/4	6,35		
1 5/8 - 1	1 5/8	41,28	1 25/32	45,24	1	25,40	1/4	6,35		
1 5/8 - 1 1/2					1 1/2	38,10				
1 5/8 - 2	1 3/4	44,45	1 15/16	49,21	2	50,80	1/4	6,35		
1 3/4 - 1					1	25,40				
1 3/4 - 1 1/2					1 1/2	38,10				
1 3/4 - 1 3/4	1 7/8	47,63	2 1/16	52,39	1 3/4	44,45	1/4	6,35		
1 3/4 - 2					2	50,80				
1 7/8 - 1					1	25,40			1/4	6,35
1 7/8 - 1 1/2					1 1/2	38,10				
1 7/8 - 1 7/8	1 7/8	47,63								
1 7/8 - 2	2	50,80								
1 7/8 - 2 1/4	2	50,80	2 1/4	57,15	2 1/4	57,15	5/16	7,94		
2 - 1					1	25,40				
2 - 1 1/2					1 1/2	38,10				
2 - 2					2	50,80				
2 - 2 1/2					2 1/2	63,50				
2 1/4 - 2	2 1/4	57,15	2 7/16	61,91	2	50,80	5/16	7,94		
2 1/4 - 2 1/4					2 1/4	57,15				
2 1/4 - 2 1/2					2 1/2	63,50				
2 1/2 - 1 1/2	2 3/4	69,85	2 11/16	68,26	1 1/2	38,10	5/16	7,94		
2 1/2 - 2					2	50,80				
2 1/2 - 2 1/2					2 1/2	63,50				
2 3/4 - 2					2	50,80			5/16	7,94
2 3/4 - 2 1/2	2 1/2	63,50								
2 3/4 - 3	3	76,20								
2 3/4 - 3 1/2	3 1/2	88,90								
3 - 1 1/2	3	76,20	3 3/16	80,96	1 1/2	38,10	3/8	9,53		
3 - 2					2	50,80				
3 - 2 1/2					2 1/2	63,50				
3 - 3					3	76,20				
3 - 3 3/4					3 3/4	95,25				
3 1/2 - 2 1/2	3 1/2	88,90	3 11/16	93,66	2 1/2	63,50	3/8	9,53		
3 1/2 - 3					3	76,20				
3 1/2 - 3 3/4					3 3/4	95,25				
4 - 3	4	101,60	3 3/16	80,96	3	76,20	3/8	9,53		
4 - 3 3/4					3 3/4	95,25				
4 - 4 3/4					4 3/4	120,65				

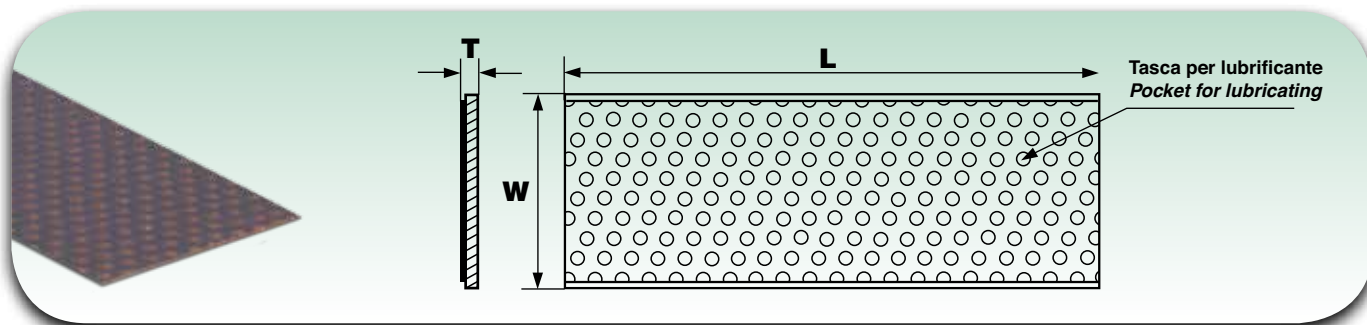
Per ordinare specificare: SF-2 + sigla

To order, please specify: SF-2 + designation



Sigla Designation	Dimensioni (pollici/mm) Dimensions (inches/mm)								Dimensioni di montaggio (pollici/mm) Mounting dimensions (inches/mm)					
	$d_4^{+0,010''}$		$D^{-0,010''}$		$T^{+0,0035''}$		$M^{-0,010''}$		$h^{+0,010''}$		$t^{+0,010''}$		$D_1^{+0,010''}$	
	inch.	mm	inch.	mm	inch.	mm	inch.	mm	inch.	mm	inch.	mm	inch.	mm
WC-2 0500	0,500	12,70	0,875	22,23	0,066	1,676	0,692	17,58	0,067	1,70	0,04	1,02	0,875	22,23
WC-2 0562	0,562	14,27	1,000	25,40	0,066	1,676	0,786	19,96	0,067	1,70	0,04	1,02	1,000	25,40
WC-2 0625	0,625	15,88	1,125	28,58	0,066	1,676	0,880	22,35	0,099	2,51	0,04	1,02	1,125	28,58
WC-2 0687	0,687	17,45	1,187	30,15	0,066	1,676	0,942	23,93	0,099	2,51	0,04	1,02	1,187	30,15
WC-2 0750	0,750	19,05	1,250	31,75	0,066	1,676	1,005	25,53	0,099	2,51	0,04	1,02	1,250	31,75
WC-2 0812	0,812	20,62	1,375	34,93	0,066	1,676	1,009	27,91	0,099	2,51	0,04	1,02	1,375	34,93
WC-2 0875	0,875	22,23	1,500	38,10	0,066	1,676	1,192	30,28	0,130	3,30	0,04	1,02	1,500	38,10
WC-2 0937	0,937	23,80	1,625	41,28	0,066	1,676	1,286	32,66	0,130	3,30	0,04	1,02	1,625	41,28
WC-2 1000	1,000	25,40	1,750	44,45	0,066	1,676	1,380	35,05	0,130	3,30	0,04	1,02	1,750	44,45
WC-2 1125	1,125	28,58	2,000	50,80	0,066	1,676	1,567	39,80	0,161	4,09	0,04	1,02	2,000	50,80
WC-2 1250	1,250	31,75	2,125	53,98	0,066	1,676	1,692	42,98	0,161	4,09	0,04	1,02	2,125	53,98
WC-2 1375	1,375	34,93	2,250	57,15	0,066	1,676	1,817	46,15	0,161	4,09	0,04	1,02	2,250	57,15
WC-2 1500	1,500	38,10	2,500	63,50	0,066	1,676	2,005	50,93	0,192	4,88	0,04	1,02	2,500	63,50
WC-2 1625	1,625	41,28	2,625	66,68	0,066	1,676	2,130	54,10	0,192	4,88	0,04	1,02	2,625	66,68
WC-2 1750	1,750	44,45	2,750	69,85	0,066	1,676	2,255	52,28	0,192	4,88	0,04	1,02	2,750	69,85
WC-2 2000	2,000	50,80	3,000	76,20	0,097	2,464	2,505	63,63	0,192	4,88	0,07	1,78	3,000	76,20
WC-2 2125	2,125	53,98	3,125	79,38	0,097	2,464	2,630	66,80	0,192	4,88	0,07	1,78	3,125	79,38
WC-2 2250	2,250	57,15	3,250	82,55	0,097	2,464	2,755	69,98	0,192	4,88	0,07	1,78	3,250	82,55

Per ordinare specificare: sigla
To order, please specify: designation



Sigla Designation	Dimensioni (mm) - Dimensions (mm)					
	Lunghezza Length $L^{+0,2''}$		Altezza Width $W^{+0,1''}$		Spessore Thickness $T^{-0,0035}$	
	inch.	mm	inch.	mm	inch.	mm
NSTR-I 00492	19,69	500,13	2,75	69,85	0,0492	1,2497
NSTR-I 00642	19,69	500,13	4,00	101,60	0,0642	1,6307
NSTR-I 00795	19,69	500,13	4,00	101,60	0,0795	2,0193
NSTR-I 00949	19,69	500,13	4,00	101,60	0,0949	2,4105

Per ordinare specificare: sigla

To order, please specify: designation

Su richiesta disponibili:

- con rivestimento in bronzo (NSTR-IB)
- versione 090 (NSTR 090)

On request, available also:

- with bronze covering (NSTR-IB)
- 090 version (NSTR 090)