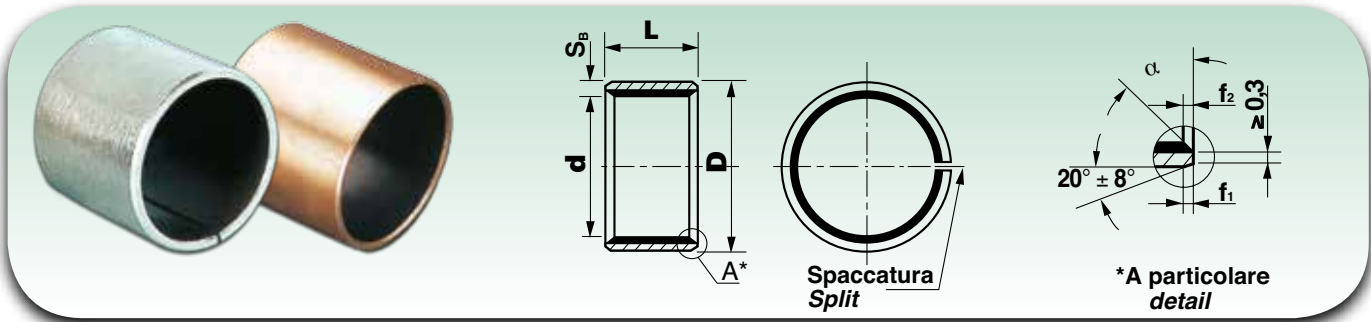


\*A particolare detail

Dimensioni (mm) Dimensions (mm)		
d	D	L <sup>±0,25</sup>
2	3,5	3
		5
3	4,5	3
		4
		5
		6
4	5,5	3
		4
		5
		6
		7
		8
		9
		10
5	7	4
		5
		6
		7
		8
		10
6	8	4
		5
		6
		7
		8
		10
7	9	10
8	10	5
		6
		7
		8
		10
		12
		15
		20
10	12	5
		6
		7
		8
		10
		12
		13,5
		15
		20
12	14	6
		8
		10
		12
		15
		20
		25
13	15	8

Dimensioni (mm) Dimensions (mm)		
d	D	L <sup>±0,25</sup>
13	15	10
		15
		20
14	16	5
		10
		12
		14
		15
		20
		25
15	17	8
		10
		12
		15
		20
		25
		25
16	18	5
		8
		10
		12
		15
		16
		20
17	19	10
		12
		15
		17
		20
		25
		25
18	20	8
		10
		12
		15
		18
		20
		25
20	22	10
		15
		20
		25
		30
		30
20	23	5
		10
		12
		15
		20
		25
22	25	10
		12
		15

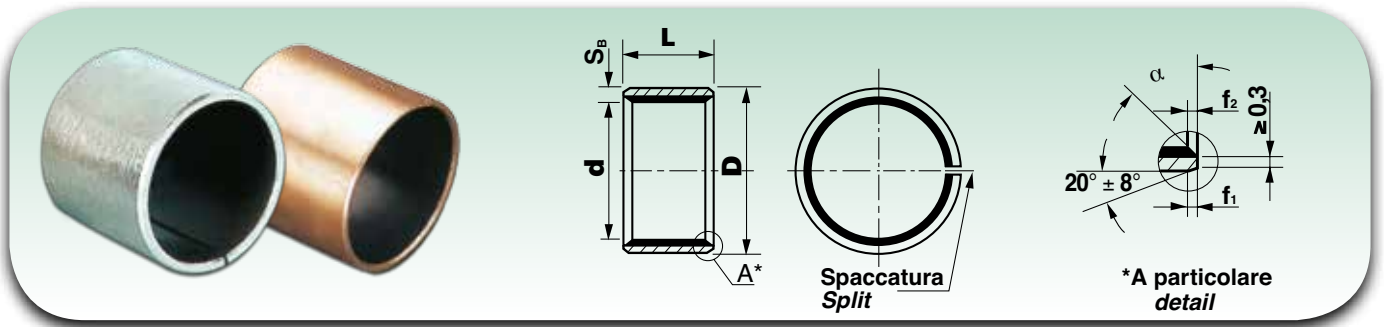
Dimensioni (mm) Dimensions (mm)		
d	D	L <sup>±0,25</sup>
22	25	20
		25
		30
24	27	15
		20
		25
		30
		30
24	28	15
		20
		24
		25
		30
25	28	5
		10
		12
		15
		20
		25
		30
		40
25	29	12
28	32	10
		12
		15
		20
		25
		28
		30
		40
		43
30	34	10
		12
		15
		20
		25
		30
		32
		40
32	36	8
		20
		25
		30
35	39	12
		15
		20
		25
		30
		35
		40



Dimensioni (mm) Dimensions (mm)				
d	D	L <sup>±0,25</sup>		
37	41	20		
		15		
38	42	20		
		25		
		30		
		38		
		40		
		40	44	12
				15
20				
25				
30				
35				
40				
45				
50				
45	50			20
		25		
		30		
		40		
		45		
		50		
50	55	20		
		25		
		30		
		40		
		50		
		60		
55	60	10		
		20		
		25		
		30		
		35		
		40		
		50		
		55		
		60		
		60	65	20
25				
30				
40				
50				
55				
60				
70				
65	70			30
				40
		50		
		60		
		65		
		70		

Dimensioni (mm) Dimensions (mm)				
d	D	L <sup>±0,25</sup>		
70	75	30		
		40		
		50		
		60		
		70		
		80		
		80		
75	80	30		
		40		
		50		
		60		
		70		
		75		
		80		
		90		
		80	85	40
				50
60				
70				
80				
100				
85	90			30
				40
				50
				60
		80		
		85		
		100		
		90	95	40
				50
				60
80				
90				
100				
120				
95	100			20
				50
				60
		80		
		95		
		100		
		140		
		100	105	50
				60
				70
80				
100				
115				
105	110			50
		60		
		80		
		100		
		100		

Dimensioni (mm) Dimensions (mm)		
d	D	L <sup>±0,25</sup>
105	110	105
		115
110	115	50
		60
		80
		100
		115
115	120	50
		60
		70
		115
		120
120	125	50
		60
		70
		80
		95
125	130	100
		120
		60
		100
		115
130	135	125
		50
		60
		80
		100
135	140	130
		60
		70
		80
		100
140	145	50
		60
		80
		100
		120
145	150	140
		60
		100
		140
		150
150	155	50
		60
		80
		100
		150
155	160	60
		100
		60
		80
		100
160	165	60
		80
		100
		115
		160



Dimensioni (mm) Dimensions (mm)		
d	D	L <sup>±0,25</sup>
165	170	60
		100
170	175	60
		100
175	180	60
		100
180	185	60
		80
		100
		180
190	195	60
		80
		100
200	205	60
		80

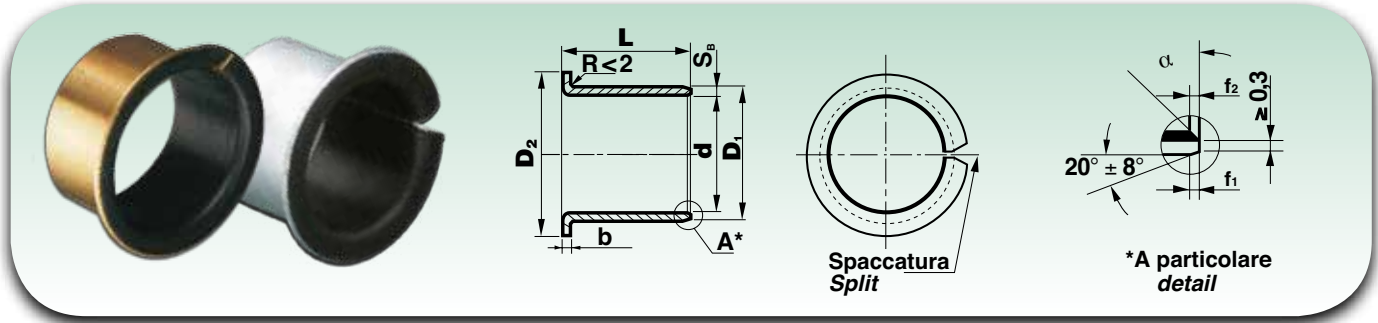
Dimensioni (mm) Dimensions (mm)		
d	D	L <sup>±0,25</sup>
200	205	100
		200
205	210	60
		100
210	215	60
		100
215	220	60
		100
		100
220	225	60
		80
		100
		220
230	235	60
		100
240	245	60
		100

Dimensioni (mm) Dimensions (mm)		
d	D	L <sup>±0,25</sup>
250	255	60
		80
		100
260	265	250
		80
		100
		260
280	285	60
		80
		100
		280
300	305	60
		80
		100
		300
-	-	-

**Per ordinare specificare: SF-1 + d + L**
**To order, please specify: SF-1 + d + L**

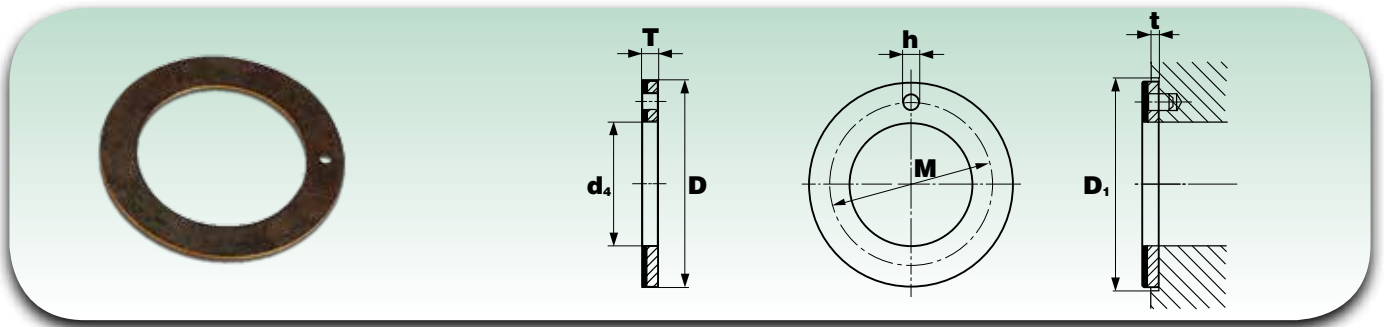
Possono essere fornite boccole a disegno per quantità.

Bushes made according drawings can be supplied if large quantities are ordered.



Sigla Designation	Dimensioni (mm) Dimensions (mm)				
	d	D <sub>1</sub>	D <sub>2</sub> <sup>±0,50</sup>	L <sup>±0,25</sup>	b <sup>-0,2</sup>
F 3-4	3	4,5	7	4	0,75
F 4-4	4	5,5	9	4	0,75
F 4-5				5	
F 4-6				6	
F 4-7				7	
F 4-8				8	
F 5-4	5	7	10	4	1
F 5-5				5	
F 5-6				6	
F 5-7				7	
F 5-8				8	
F 6-4	6	8	12	4	1
F 6-7				7	
F 6-8				8	
F 6-12,7				12,7	
F 8-5,5				8	
F 8-6	6				
F 8-7,5	7,5				
F 8-8	8				
F 8-9,5	9,5				
F 8-10	10				
F 10-5,5	10	12	18	5,5	1
F 10-7				7	
F 10-9				9	
F 10-12				12	
F 10-17				17	
F 12-7	12	14	20	7	1
F 12-8				8	
F 12-9				9	
F 12-12				12	
F 12-15				15	
F 12-17	17				
F 14-12	14	16	22	12	1
F 14-17				17	
F 15-9				9	
F 15-12	15	1			
F 15-17	17				
F 16-12	16	18	24	12	1
F 16-17				17	
F 18-12	18	20	26	12	1
F 18-17				17	
F 18-20				20	
F 18-22				22	
F 20-11,5				20	
F 20-12	12				
F 20-15	15				
F 20-16,5	16,5				
F 20-17	17				

Sigla Designation	Dimensioni (mm) Dimensions (mm)				
	d	D <sub>1</sub>	D <sub>2</sub> <sup>±0,50</sup>	L <sup>±0,25</sup>	b <sup>-0,2</sup>
F 20-21,5	20	23	30	21,5	1,5
F 20-22				22	
F 22-15	22	25	32	15	1,5
F 22-20				20	
F 25-11,5	25	28	35	11,5	1,5
F 25-12				12	
F 25-16,5				16,5	
F 25-17				17	
F 25-21,5				21,5	
F 25-22	22				
F 30-16	30	34	42	16	2
F 30-26				26	
F 30-30				30	
F 35-16	35	39	47	16	2
F 35-20				20	
F 35-26				26	
F 40-16	40	44	53	16	2
F 40-26				26	
F 40-40				40	
F 45-16				45	
F 45-20	20				
F 45-25	25				
F 45-26	26				
F 45-30	30				
F 45-40	40				
F 45-50	50				
F 50-20	50	55	65	20	2,5
F 50-30				30	
F 50-40				40	
F 55-30	55	60	70	30	2,5
F 55-40				40	
F 60-30	60	65	75	30	2,5
F 60-40				40	
F 60-50				50	
F 65-30	65	70	80	30	2,5
F 65-40				40	
F 70-30	70	75	85	30	2,5
F 70-40				40	
F 75-30	75	80	90	30	2,5
F 75-40				40	
F 80-30	80	85	95	30	2,5
F 80-40				40	
F 85-30	85	90	100	30	2,5
F 85-40				40	
F 90-30	90	95	105	30	2,5
F 90-40				40	
F 95-30	95	100	110	30	2,5
F 95-40				40	



Sigla Designation	Dimensioni (mm) Dimensions (mm)				Dimensioni di montaggio (mm) Mounting dimensions (mm)		
	$d_4^{\pm 0,25}$	$D^{-0,25}$	$T^{-0,05}$	$M^{\pm 0,15}$	$h^{+0,4}_{+0,1}$	$t^{\pm 0,2}$	$D_1^{+0,12}$
WC-1B 10	10	20	1,5	15	1,5	1	20
WC-1B 12	12	24	1,5	18	1,5	1	24
WC-1B 14	14	26	1,5	20	2	1	26
WC-1B 16	16	30	1,5	23	2	1	30
WC-1B 18	18	32	1,5	25	2	1	32
WC-1B 20	20	36	1,5	28	3	1	36
WC-1B 22	22	38	1,5	30	3	1	38
WC-1B 24	24	42	1,5	33	3	1	42
WC-1B 26	26	44	1,5	35	4	1	44
WC-1B 28	28	48	1,5	38	4	1	48
WC-1B 32	32	54	1,5	43	4	1	54
WC-1B 38	38	62	1,5	50	4	1	62
WC-1B 40	40	64	1,5	52	4	1	64
WC-1B 42	42	66	1,5	54	4	1	66
WC-1B 48	48	74	2	61	4	1,5	74
WC-1B 52	52	78	2	65	4	1,5	78
WC-1B 62	62	90	2	76	4	1,5	90
WC-1B 90	90	130	2	110	5	2	130

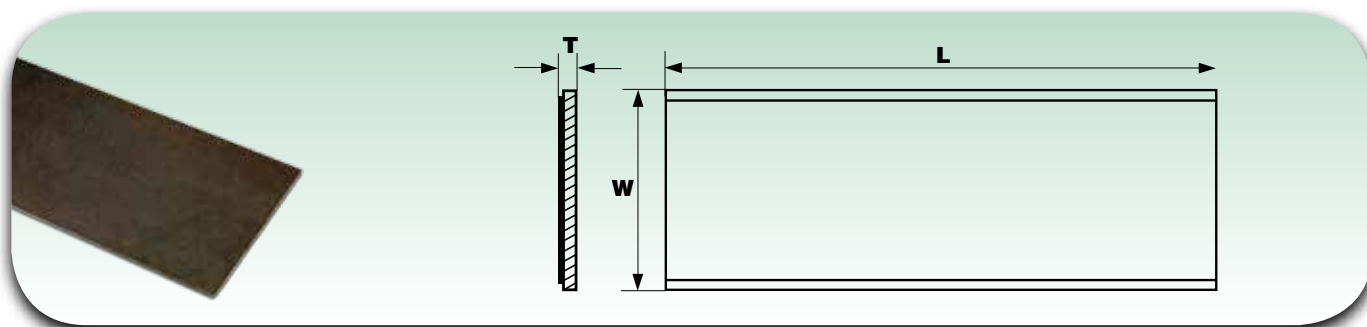
**Per ordinare specificare: sigla**
**To order, please specify: designation**

Le tolleranze riportate in questa pagina rispettano la norma ISO 6525:1983

The tolerance values given on this page comply with standard ISO 6525:1983

Consigliamo l'utilizzo di un perno o di una vite di arresto per evitare la rotazione. Il fermo deve essere incassato sotto il piano della ralla di almeno 0,25 mm.

A dowel or counter grub screw should be used to prevent rotation, but the head must be recessed at least 0,25 mm below the thrust washer surface.



Sigla <i>Designation</i>	Dimensioni (mm) - <i>Dimensions (mm)</i>		
	Lunghezza <i>Length</i> L $\pm 1$	Altezza <i>Width</i> W $\pm 1$	Spessore <i>Thickness</i> T $-0.05$
NSTR-S 050125	500	125	0,50
NSTR-S 075125	500	125	0,75
NSTR-S 100125	500	125	1,0
NSTR-S 150125	500	125	1,5
NSTR-S 200125	500	125	2,0
NSTR-S 250125	500	125	2,5
NSTR-S 300125	500	125	3

Per ordinare specificare: sigla

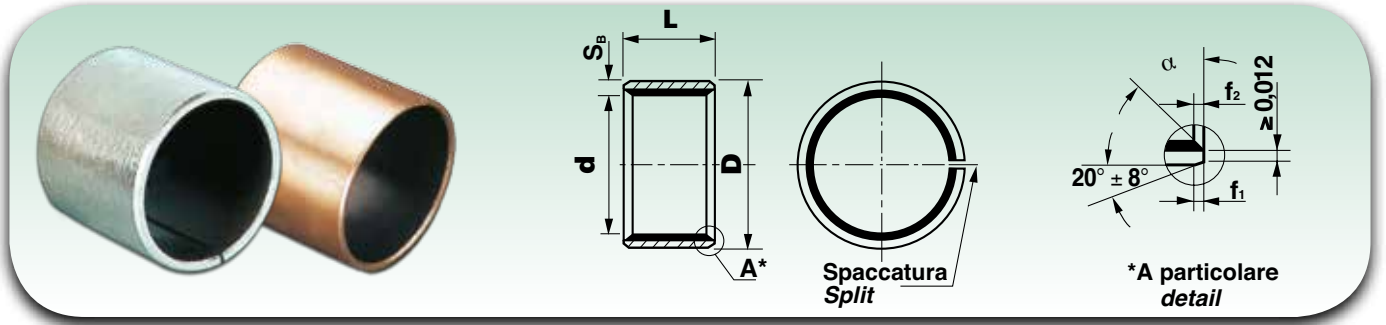
*To order, please specify: designation*

**Su richiesta disponibili:**

- con rivestimento in bronzo (NSTR-SB)
- versione 090 (NSTR 090)

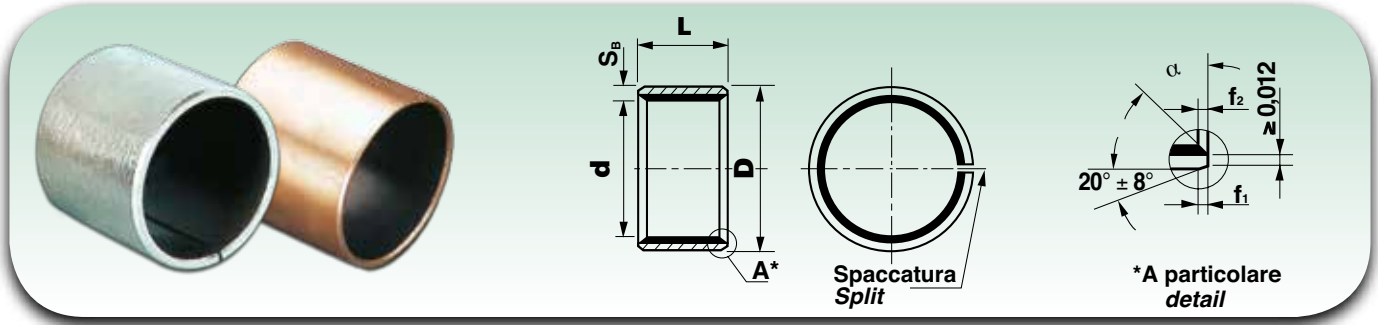
**On request, available also:**

- with bronze covering (NSTR-SB)
- 090 version (NSTR 090)



Sigla Designation	Dimensioni (pollici/mm) Dimensions (inches/mm)					
	d		D		L ±0,010"	
	inch.	mm	inch.	mm	inch.	mm
1/8-1/8	1/8	3,18	3/16	4,76	1/8	3,18
1/8-3/16					3/16	4,76
5/32-5/32	5/32	3,97	7/32	5,56	5/32	3,97
5/32-1/4					1/4	6,35
3/16-3/16	3/16	4,76	1/4	6,35	3/16	4,76
3/16-1/4					1/4	6,35
3/16-3/8	1/4	6,35	5/16	7,94	3/8	9,53
1/4-1/4					3/8	9,53
1/4-3/8	5/16	7,94	3/8	9,53	3/8	9,53
5/16-3/8					1/2	12,70
5/16-1/2	3/8	9,53	15/32	11,91	3/16	4,76
3/8-3/16					1/4	6,35
3/8-1/4	3/8	9,53	15/32	11,91	3/8	9,53
3/8-3/8					1/2	12,70
3/8-1/2	7/16	11,11	17/32	13,49	5/8	15,88
3/8-5/8					3/4	19,05
3/8-3/4	1/2	12,70	19/32	15,80	3/8	9,53
1/2-1/4					1/2	12,70
1/2-3/8	9/16	14,29	21/32	16,67	5/8	15,88
1/2-1/2					3/4	19,05
1/2-5/8	5/8	15,88	23/32	18,26	1/4	6,35
1/2-3/4					1/2	12,70
1/2-7/8	11/16	17,46	25/32	19,84	5/8	15,88
9/16-5/16					7/8	22,23
9/16-3/8	3/4	19,05	7/8	22,23	1/4	6,35
9/16-1/2					3/8	9,53
9/16-5/8	13/16	20,64	15/16	23,81	1/2	12,70
9/16-3/4					5/8	15,88
5/8-1/4	7/8	22,23	1	25,40	3/4	19,05
5/8-1/2					1	25,40
5/8-5/8	13/16	20,64	15/16	23,81	1	25,40
5/8-3/4					3/4	19,05
5/8-7/8	7/8	22,23	1	25,40	1/8	28,58
5/8-1					1/4	6,35
11/16-7/8	13/16	20,64	15/16	23,81	1/2	12,70
3/4-1/4					3/4	19,05
3/4-3/8	13/16	20,64	15/16	23,81	5/8	15,88
3/4-1/2					3/4	19,05
3/4-5/8	7/8	22,23	1	25,40	1	25,40
3/4-3/4					1	25,40
3/4-1	7/8	22,23	1	25,40	3/4	19,05
13/16-3/4					13/16	20,64
13/16-1/8	7/8	22,23	1	25,40	1/8	28,58
7/8-1/4					1/4	6,35

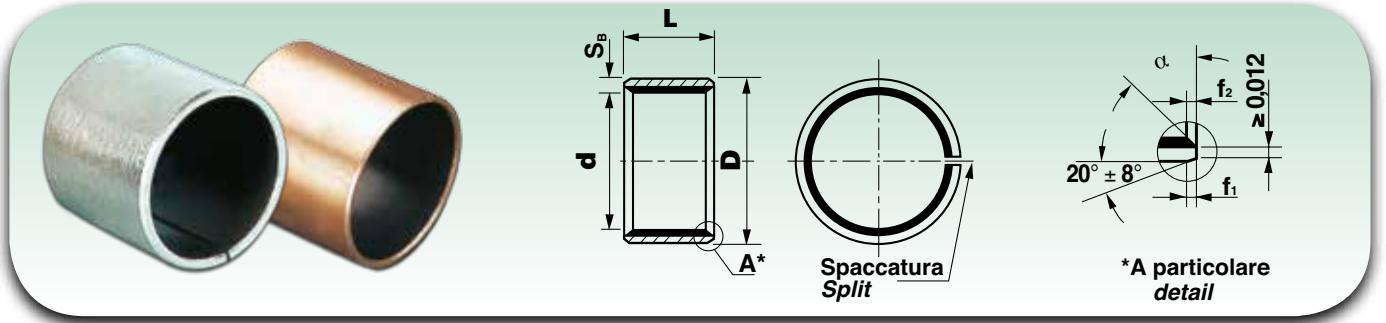
Sigla Designation	Dimensioni (pollici/mm) Dimensions (inches/mm)					
	d		D		L ±0,010"	
	inch.	mm	inch.	mm	inch.	mm
7/8-3/8	7/8	22,23	1	25,40	3/8	9,53
7/8-3/4					3/4	19,05
7/8-7/8					7/8	22,23
7/8-1					1	25,40
7/8-1 1/4					1 1/4	31,75
1-3/8	1	25,40	1 1/8	28,58	3/8	9,53
1-1/2					1/2	12,70
1-3/4					3/4	19,05
1-1					1	25,40
1-1 1/4					1 1/4	31,75
1-1 1/2	1 1/8	28,58	1 9/32	32,54	1 1/2	38,10
1 1/8-3/8					3/8	9,53
1 1/8-5/8					5/8	15,88
1 1/8-3/4					3/4	19,05
1 1/8-1					1	25,40
1 1/4-3/8	1 1/4	31,75	1 13/32	35,72	3/8	9,53
1 1/4-3/4					3/4	19,05
1 1/4-7/8					7/8	22,23
1 1/4-1					1	25,40
1 1/4-1 1/4					1 1/4	31,75
1 1/4-1 3/4	1 3/8	34,93	1 17/32	38,89	1 3/4	44,45
1 3/8-5/8					5/8	15,88
1 3/8-3/4					3/4	19,05
1 3/8-1					1	25,40
1 3/8-1 3/8					1 3/8	34,93
1 3/8-1 1/2	1 1/2	38,10	1 21/32	42,07	1 1/2	38,10
1 3/8-1 3/4					1 3/4	44,45
1 1/2-1/2					1/2	12,70
1 1/2-1					1	25,40
1 1/2-1 1/8					1 1/8	28,58
1 1/2-1 1/4	1 5/8	41,28	1 25/32	45,24	1 1/4	31,75
1 1/2-1 1/2					1 1/2	38,10
1 1/2-2					2	50,80
1 5/8-1					1	25,40
1 5/8-1 1/2					1 1/2	38,10
1 3/4-1	1 3/4	44,45	1 15/16	49,21	1	25,40
1 3/4-1 1/2					1 1/2	38,10
1 3/4-1 3/4					1 3/4	44,45
1 3/4-2					2	50,80
1 7/8-3/4					3/4	19,05
1 7/8-1	1 7/8	47,63	2 1/16	52,39	1	25,40
1 7/8-1 7/8					1 7/8	47,63
1 7/8-2 1/4					2 1/4	57,15
2-1/2					1/2	12,70
2-1					1	25,40
2-1 1/2	2	50,80	2 3/16	55,56	1 1/2	38,10
2-1 3/4					1 3/4	44,45



Sigla Designation	Dimensioni (pollici/mm) Dimensions (inches/mm)					
	d		D		L ±0,010"	
	inch.	mm	inch.	mm	inch.	mm
2-2	2	50,80	2 <sup>3</sup> / <sub>16</sub>	55,56	2	50,80
2-2 1/2					2 1/2	63,50
2 1/8-3	2 1/8	53,98	2 <sup>5</sup> / <sub>16</sub>	58,74	3	76,20
2 1/4-1 3/4	2 1/4	57,15	2 <sup>7</sup> / <sub>16</sub>	61,91	1 3/4	44,45
2 1/4-2					2	50,80
2 1/4-2 1/4					2 1/4	57,15
2 1/4-2 1/2					2 1/2	63,50
2 1/4-3					3	76,20
2 1/4-3 1/2					3 1/2	88,90
2 1/4-3 3/4					3 3/4	95,25
2 1/4-4					4	101,60
2 1/4-4 1/4					4 1/4	107,95
2 1/2-1					2 1/2	63,50
2 1/2-1 5/8	1 5/8	41,28				
2 1/2-2	2	50,80				
2 1/2-2 1/2	2 1/2	63,50				
2 1/2-3	3	76,20				
2 1/2-3 1/2	3 1/2	88,90				
2 1/2-3 3/4	3 3/4	95,25				
2 1/2-4	4	101,60				
2 1/2-4 1/2	4 1/2	114,30				
2 1/2-4 3/4	4 3/4	120,65				
2 3/4-2	2 3/4	69,85	2 <sup>15</sup> / <sub>16</sub>	74,61	2	50,80
2 3/4-2 1/4					2 1/4	57,15
2 3/4-2 1/2					2 1/2	63,50
2 3/4-3					3	76,20
2 3/4-3 1/2					3 1/2	88,90
2 3/4-3 3/4					3 3/4	95,25
2 3/4-4					4	101,60
2 3/4-4 1/2					4 1/2	114,30
2 3/4-4 3/4					4 3/4	120,65
2 3/4-5					5	127,00
2 7/8-2	2 7/8	73,03	3 <sup>1</sup> / <sub>16</sub>	77,79	2	50,80
2 7/8-2 1/4					2 1/4	57,15
2 7/8-2 1/2					2 1/2	63,50
2 7/8-3					3	76,20
2 7/8-3 1/2					3 1/2	88,90
2 7/8-3 3/4					3 3/4	95,25
2 7/8-4					4	101,60
2 7/8-4 1/2					4 1/2	114,30
2 7/8-4 3/4					4 3/4	120,65
2 7/8-5					5	127,00
3-2	3	76,20	3 <sup>3</sup> / <sub>16</sub>	80,96	2	50,80
3-2 1/4					2 1/4	57,15
3-2 1/2					2 1/2	63,50
3-3					3	76,20
3-3 1/2					3 1/2	88,90

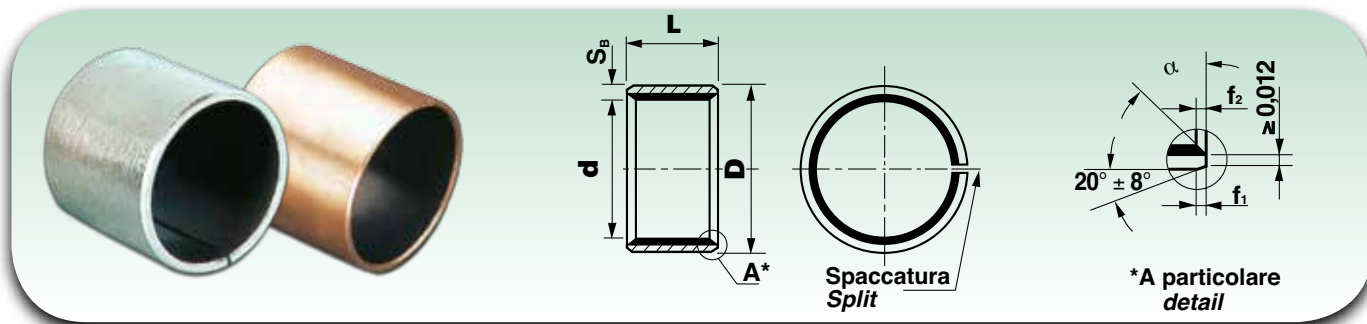
Sigla Designation	Dimensioni (pollici/mm) Dimensions (inches/mm)					
	d		D		L ±0,010"	
	inch.	mm	inch.	mm	inch.	mm
3-3 3/4	3	76,20	3 <sup>3</sup> / <sub>16</sub>	80,96	3 3/4	95,25
3-4					4	101,60
3-4 1/2					4 1/2	114,30
3-4 3/4					4 3/4	120,65
3-5					5	127,00
3 1/4-2	3 1/4	82,55	3 <sup>7</sup> / <sub>16</sub>	87,31	2	50,80
3 1/4-2 3/8					2 3/8	60,33
3 1/4-2 1/2					2 1/2	63,50
3 1/4-3					3	76,20
3 1/4-3 1/2					3 1/2	88,90
3 1/4-3 3/4					3 3/4	95,25
3 1/4-4					4	101,60
3 1/4-4 1/2					4 1/2	114,30
3 1/4-4 3/4					4 3/4	120,65
3 1/4-5					5	127,00
3 1/2-2	3 1/2	88,90	3 <sup>11</sup> / <sub>16</sub>	93,66	2	50,80
3 1/2-2 3/8					2 3/8	60,33
3 1/2-2 1/2					2 1/2	63,50
3 1/2-3					3	76,20
3 1/2-3 1/2					3 1/2	88,90
3 1/2-3 3/4					3 3/4	95,25
3 1/2-4					4	101,60
3 1/2-4 1/2					4 1/2	114,30
3 1/2-4 3/4					4 3/4	120,65
3 1/2-5					5	127,00
3 5/8-2	3 5/8	92,08	3 <sup>13</sup> / <sub>16</sub>	96,84	2	50,80
3 5/8-2 1/4					2 1/4	57,15
3 5/8-2 1/2					2 1/2	63,50
3 5/8-3					3	76,20
3 5/8-3 1/2					3 1/2	88,90
3 5/8-3 3/4					3 3/4	95,25
3 5/8-4					4	101,60
3 5/8-4 1/2					4 1/2	114,30
3 5/8-4 3/4					4 3/4	120,65
3 5/8-5					5	127,00
3 3/4-2	3 3/4	95,25	3 <sup>15</sup> / <sub>16</sub>	100,01	2	50,80
3 3/4-2 1/4					2 1/4	57,15
3 3/4-2 1/2					2 1/2	63,50
3 3/4-3					3	76,20
3 3/4-3 1/2					3 1/2	88,90
3 3/4-3 3/4					3 3/4	95,25
3 3/4-4					4	101,60
3 3/4-4 1/2					4 1/2	114,30
3 3/4-4 3/4					4 3/4	120,65
3 3/4-5					5	127,00
4-2	4	101,60	3 <sup>3</sup> / <sub>16</sub>	80,96	2	50,80
4-2 1/4					2 1/4	57,15





Sigla Designation	Dimensioni (pollici/mm) Dimensions (inches/mm)									
	d		D		L ±0,010"					
	inch.	mm	inch.	mm	inch.	mm				
4-2 1/2	4	101,60	3 3/16	80,96	1 1/2	63,50				
4-3					3	76,20				
4-3 1/2					3 1/2	88,90				
4-3 3/4					3 3/4	95,25				
4-4					4	101,60				
4-4 1/2					4 1/2	114,30				
4-4 3/4					4 3/4	120,65				
4-5					5	127,00				
4 1/4-2					4 1/4	107,95	4 7/16	112,71	2	50,80
4 1/4-2 1/4									2 1/4	57,15
4 1/4-2 1/2	2 1/2	63,50								
4 1/4-3	3	76,20								
4 1/4-3 1/2	3 1/2	88,90								
4 1/4-3 3/4	3 3/4	95,25								
4 1/4-4	4	101,60								
4 1/4-4 1/2	4 1/2	114,30								
4 1/4-4 3/4	4 3/4	120,65								
4 1/4-5	5	127,00								
4 3/8-2	4 3/8	111,13	4 9/16	115,89	2	50,80				
4 3/8-2 1/4					2 1/4	57,15				
4 3/8-2 1/2					2 1/2	63,50				
4 3/8-3					3	76,20				
4 3/8-3 1/2					3 1/2	88,90				
4 3/8-3 3/4					3 3/4	95,25				
4 3/8-4					4	101,60				
4 3/8-4 1/2					4 1/2	114,30				
4 3/8-4 3/4					4 3/4	120,65				
4 3/8-5					5	127,00				
4 1/2-2	4 1/2	114,30	4 11/16	119,06	2	50,80				
4 1/2-2 1/4					2 1/4	57,15				
4 1/2-2 1/2					2 1/2	63,50				
4 1/2-3					3	76,20				
4 1/2-3 1/2					3 1/2	88,90				
4 1/2-3 3/4					3 3/4	95,25				
4 1/2-4					4	101,60				
4 1/2-4 1/2					4 1/2	114,30				
4 1/2-4 3/4					4 3/4	120,65				
4 1/2-5					5	127,00				
4 3/4-2	4 3/4	120,65	4 15/16	125,41	2	50,80				
4 3/4-2 1/4					2 1/4	57,15				
4 3/4-2 1/2					2 1/2	63,50				
4 3/4-3					3	76,20				
4 3/4-3 1/2					3 1/2	88,90				
4 3/4-3 3/4					3 3/4	95,25				
4 3/4-4					4	101,60				
4 3/4-4 1/2					4 1/2	114,30				
4 3/4-4 3/4					4 3/4	120,65				
4 3/4-5					5	127,00				

Sigla Designation	Dimensioni (pollici/mm) Dimensions (inches/mm)					
	d		D		L ±0,010"	
	inch.	mm	inch.	mm	inch.	mm
4 3/4-5	4 3/4	120,65	4 15/16	125,41	5	127,00
5-2					2	50,80
5-2 1/4					2 1/4	57,17
5-2 1/2					2 1/2	63,50
5-3					3	76,20
5-3 1/2					3 1/2	88,90
5-3 3/4					3 3/4	95,25
5-4					4	101,60
5-4 1/2					4 1/2	114,30
5-4 3/4					4 3/4	120,65
5-5	5	127,00				
5 1/4-2	5 1/4	133,35	5 7/16	138,11	2	50,80
5 1/4-2 1/4					2 1/4	57,15
5 1/4-2 1/2					2 1/2	63,50
5 1/4-3					3	76,20
5 1/4-3 1/2					3 1/2	88,90
5 1/4-3 3/4					3 3/4	95,25
5 1/4-4					4	101,60
5 1/4-4 1/2					4 1/2	114,30
5 1/4-4 3/4					4 3/4	120,65
5 1/4-5					5	127,00
5 1/2-2	5 1/2	139,70	5 11/16	144,46	2	50,80
5 1/2-2 1/4					2 1/4	57,15
5 1/2-2 1/2					2 1/2	63,50
5 1/2-3					3	76,20
5 1/2-3 1/2					3 1/2	88,90
5 1/2-3 3/4					3 3/4	95,25
5 1/2-4					4	101,60
5 1/2-4 1/2					4 1/2	114,30
5 1/2-4 3/4					4 3/4	120,65
5 1/2-5					5	127,00
5 3/4-2	5 3/4	146,05	5 15/16	150,81	2	50,80
5 3/4-2 1/4					2 1/4	57,15
5 3/4-2 1/2					2 1/2	63,50
5 3/4-3					3	76,20
5 3/4-3 1/2					3 1/2	88,90
5 3/4-3 3/4					3 3/4	95,25
5 3/4-4					4	101,60
5 3/4-4 1/2					4 1/2	114,30
5 3/4-4 3/4					4 3/4	120,65
5 3/4-5					5	127,00
6-2	6	152,40	6 3/16	157,16	2	50,80
6-2 1/4					2 1/4	57,15
6-2 1/2					2 1/2	63,50
6-3					3	76,20
6-3 1/2					3 1/2	88,90
6-3 3/4					3 3/4	95,25

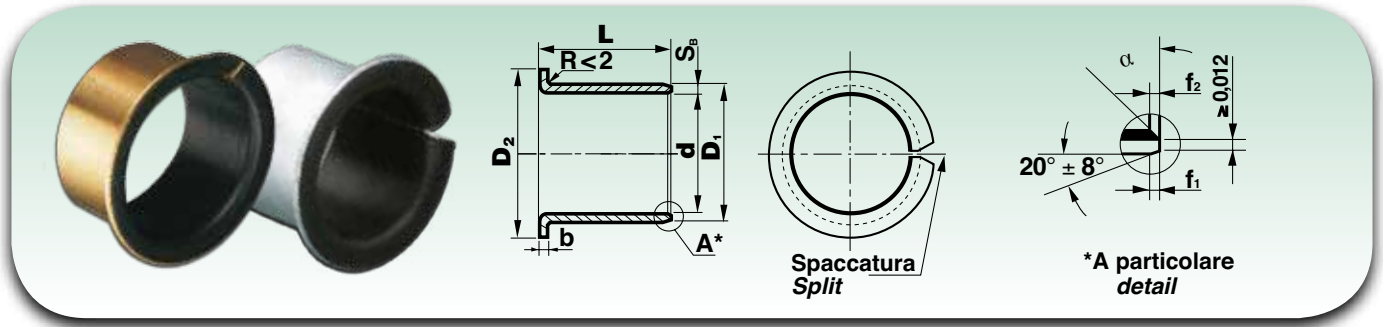


Sigla Designation	Dimensioni (pollici/mm) Dimensions (inches/mm)									
	d		D		L ±0,010"					
	inch.	mm	inch.	mm	inch.	mm				
6 - 4	6	152,40	6 <sup>3/16</sup>	157,16	4	101,60				
6 - 4 1/2					4 1/2	114,30				
6 - 14 3/4					4 3/4	120,65				
6 - 5					5	127,00				
6 1/4 - 2	6 1/4	57,15	6 7/16	163,51	2	50,80				
6 1/4 - 2 1/4					2 1/4	57,15				
6 1/4 - 2 1/2					2 1/2	63,50				
6 1/4 - 3					3	76,20				
6 1/4 - 3 1/2					3 1/2	88,90				
6 1/4 - 3 3/4					3 3/4	95,25				
6 1/4 - 4					4	101,60				
6 1/4 - 4 1/2					4 1/2	114,30				
6 1/4 - 4 3/4					4 3/4	120,65				
6 1/4 - 5					5	127,00				
6 1/2 - 2					6 1/2	165,10	6 11/16	169,86	2	50,80
6 1/2 - 2 1/4									2 1/4	57,15
6 1/2 - 2 1/2	2 1/2	63,50								
6 1/2 - 3	3	76,20								
6 1/2 - 3 1/2	3 1/2	88,90								
6 1/2 - 3 3/4	3 3/4	95,25								
6 1/2 - 4	4	101,60								
6 1/2 - 4 1/2	4 1/2	114,30								

Sigla Designation	Dimensioni (pollici/mm) Dimensions (inches/mm)					
	d		D		L ±0,010"	
	inch.	mm	inch.	mm	inch.	mm
6 1/2 - 4 3/4	6 1/2	165,10	6 11/16	169,86	4 3/4	120,65
6 1/2 - 5					5	127,00
6 3/4 - 2	6 3/4	171,45	6 15/16	176,21	2	50,80
6 3/4 - 2 1/4					2 1/4	57,15
6 3/4 - 2 1/2					2 1/2	63,50
6 3/4 - 3					3	76,20
6 3/4 - 3 1/2					3 1/2	88,90
6 3/4 - 3 3/4					3 3/4	95,25
6 3/4 - 4					4	101,60
6 3/4 - 4 1/2					4 1/2	114,30
6 3/4 - 4 3/4					4 3/4	120,65
6 3/4 - 5					5	127,00
7 - 2	7	177,80	7 3/16	182,56	2	50,80
7 - 2 1/4					2 1/4	57,15
7 - 2 1/2					2 1/2	63,50
7 - 3					3	76,20
7 - 3 1/2					3 1/2	88,90
7 - 3 3/4					3 3/4	95,25
7 - 4					4	101,60
7 - 4 1/2					4 1/2	114,30
7 - 4 3/4					4 3/4	120,65
7 - 5					5	127,00

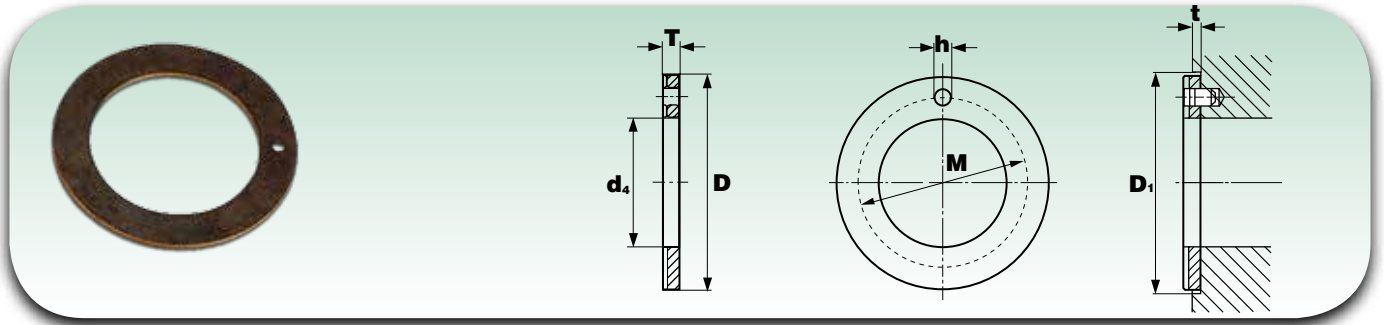
Per ordinare specificare: SF-1 + sigla

To order, please specify: SF-1 + designation



Sigla Designation	Dimensioni (pollici/mm) Dimensions (inches/mm)							
	d		D <sub>1</sub>		D <sub>2</sub> ±0,020"		L ±0,010"	
	inch.	mm	inch.	mm	inch.	mm	inch.	mm
F 3/8 - 1/4	3/8	9,53	15/32	11,91	11/16	17,46	1/4	6,35
F 3/8 - 3/8							3/8	9,53
F 3/8 - 1/2							1/2	12,70
F 3/8 - 1/2							3/4	19,05
F 1/2 - 1/4	1/2	12,70	19/32	15,08	13/16	20,64	1/4	6,35
F 1/2 - 3/8							3/8	9,53
F 1/2 - 1/2							1/2	12,70
F 1/2 - 3/4							3/4	19,05
F 5/8 - 3/8	5/8	15,88	23/32	18,26	15/16	23,81	3/8	9,53
F 5/8 - 1/2							1/2	12,70
F 5/8 - 5/8							5/8	15,88
F 5/8 - 3/4							3/4	19,05
F 3/4 - 3/8	3/4	19,05	7/8	22,23	1 1/8	28,58	3/8	9,53
F 3/4 - 1/2							1/2	12,70
F 3/4 - 3/4							3/4	19,05
F 3/4 - 1							1	25,40
F 7/8 - 1/2	7/8	22,23	1	25,40	1 1/4	31,75	1/2	12,70
F 7/8 - 3/4							3/4	19,05
F 7/8 - 1							1	25,40
F 7/8 - 1 1/4							1 1/4	31,75
F 1 - 1/2	1	25,40	1 1/8	28,58	1 3/8	34,93	1/2	12,70
F 1 - 3/4							3/4	19,05
F 1 - 1							1	25,40
F 1 - 1 1/4							1 1/4	31,75
F 1 1/4 - 1	1 1/4	31,75	1 13/32	35,72	1 3/4	44,45	1	25,40
F 1 1/4 - 1 1/4							1 1/4	31,75
F 1 1/4 - 1 1/2							1 1/2	38,10
F 1 1/2 - 1							1	25,40
F 1 1/2 - 1 1/2	1 1/2	38,10	1 21/32	42,07	2	50,80	1 1/2	38,10
F 1 1/2 - 2							2	50,80
F 1 3/4 - 1							1	25,40
F 1 3/4 - 1 1/2							1 1/2	38,10
F 1 3/4 - 2	1 3/4	44,45	1 15/16	49,21	2 3/8	60,33	2	50,80
F 1 3/4 - 2							2	50,80

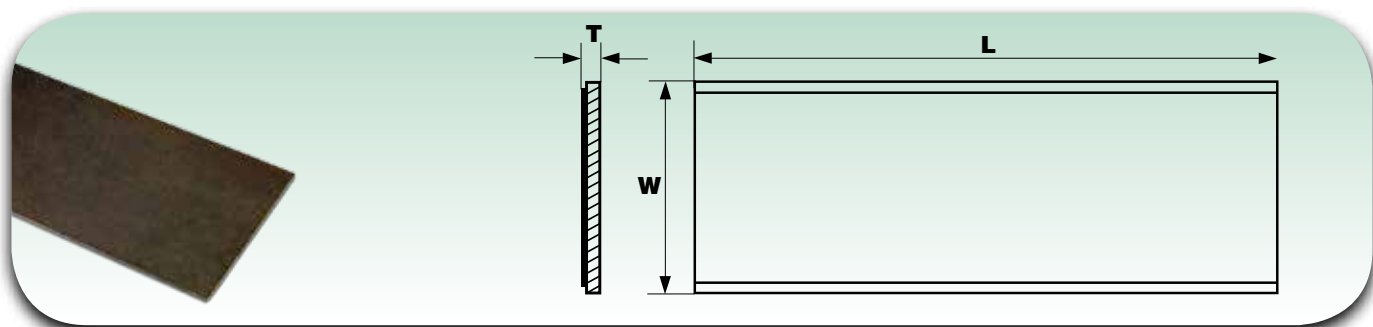
**Per ordinare specificare: SF-1 + sigla**
**To order, please specify: SF-1 + designation**



Sigla Designation	Dimensioni (pollici/mm) Dimensions (inches/mm)								Dimensioni di montaggio (pollici/mm) Mounting dimensions (inches/mm)					
	$d_4^{+0,010''}$		$D^{-0,010''}$		$T^{+0,0020''}$		$M^{-0,010''}$		$h^{+0,010''}$		$t^{\pm 0,010''}$		$D_1^{+0,010''}$	
	inch.	mm	inch.	mm	inch.	mm	inch.	mm	inch.	mm	inch.	mm	inch.	mm
WC-1 0500	0,500	12,70	0,875	22,23	0,061	1,549	0,692	17,58	0,067	1,70	0,04	1,02	0,875	22,23
WC-1 0562	0,562	14,27	1,000	25,40	0,061	1,549	0,786	19,96	0,067	1,70	0,04	1,02	1,000	25,40
WC-1 0625	0,625	15,88	1,125	28,58	0,061	1,549	0,880	22,35	0,099	2,51	0,04	1,02	1,125	28,58
WC-1 0687	0,687	17,45	1,187	30,15	0,061	1,549	0,942	23,93	0,099	2,51	0,04	1,02	1,187	30,15
WC-1 0750	0,750	19,05	1,250	31,75	0,061	1,549	1,005	25,53	0,099	2,51	0,04	1,02	1,250	31,75
WC-1 0812	0,812	20,62	1,375	34,93	0,061	1,549	1,009	27,91	0,099	2,51	0,04	1,02	1,375	34,93
WC-1 0875	0,875	22,23	1,500	38,10	0,061	1,549	1,192	30,28	0,130	3,30	0,04	1,02	1,500	38,10
WC-1 0937	0,937	23,80	1,625	41,28	0,061	1,549	1,286	32,66	0,130	3,30	0,04	1,02	1,625	41,28
WC-1 1000	1,000	25,40	1,750	44,45	0,061	1,549	1,380	35,05	0,130	3,30	0,04	1,02	1,750	44,45
WC-1 1125	1,125	28,58	2,000	50,80	0,061	1,549	1,567	39,80	0,161	4,09	0,04	1,02	2,000	50,80
WC-1 1250	1,250	31,75	2,125	53,98	0,061	1,549	1,692	42,98	0,161	4,09	0,04	1,02	2,125	53,98
WC-1 1375	1,375	34,93	2,250	57,15	0,061	1,549	1,817	46,15	0,161	4,09	0,04	1,02	2,250	57,15
WC-1 1500	1,500	38,10	2,500	63,50	0,061	1,549	2,005	50,93	0,192	4,88	0,04	1,02	2,500	63,50
WC-1 1625	1,625	41,28	2,625	66,68	0,061	1,549	2,130	54,10	0,192	4,88	0,04	1,02	2,625	66,68
WC-1 1750	1,750	44,45	2,750	69,85	0,061	1,549	2,255	52,28	0,192	4,88	0,04	1,02	2,750	69,85
WC-1 2000	2,000	50,80	3,000	76,20	0,091	2,311	2,505	63,63	0,192	4,88	0,07	1,78	3,000	76,20
WC-1 2125	2,125	53,98	3,125	79,38	0,091	2,311	2,630	66,80	0,192	4,88	0,07	1,78	3,125	79,38
WC-1 2250	2,250	57,15	3,250	82,55	0,091	2,311	2,755	69,98	0,192	4,88	0,07	1,78	3,250	82,55

Per ordinare specificare: sigla

To order, please specify: designation



Sigla Designation	Dimensioni (pollici/mm) - Dimensions (inches/mm)					
	Lunghezza Length L +0,2"		Altezza Width W +0,1"		Spessore Thickness T -0,05"	
	inch.	mm	inch.	mm	inch.	mm
NSTR-S 00293-275	19,69	500,13	2,75	69,85	0,0293 <sup>0</sup> <sub>-0,0016</sub>	0,74 <sup>0</sup> <sub>-0,0406</sub>
NSTR-S 00447-400	19,69	500,13	4,00	101,60	0,0447 <sup>0</sup> <sub>-0,0016</sub>	1,14 <sup>0</sup> <sub>-0,0406</sub>
NSTR-S 00602-400	19,69	500,13	4,00	101,60	0,0602 <sup>0</sup> <sub>-0,0016</sub>	1,53 <sup>0</sup> <sub>-0,0406</sub>
NSTR-S 00756-400	19,69	500,13	4,00	101,60	0,0756 <sup>0</sup> <sub>-0,0016</sub>	1,92 <sup>0</sup> <sub>-0,0406</sub>
NSTR-S 00913-400	19,69	500,13	4,00	101,60	0,0913 <sup>0</sup> <sub>-0,0016</sub>	2,32 <sup>0</sup> <sub>-0,0406</sub>
NSTR-S 01210-400	19,69	500,13	4,00	101,60	0,1210 <sup>0</sup> <sub>-0,0020</sub>	3,07 <sup>0</sup> <sub>-0,0508</sub>

**Per ordinare specificare: sigla**

**To order, please specify: designation**

**Su richiesta disponibili:**

- con rivestimento in bronzo (NSTR-SB)
- versione 090 (NSTR 090)

**On request, available also:**

- with bronze covering (NSTR-SB)
- 090 version (NSTR 090)