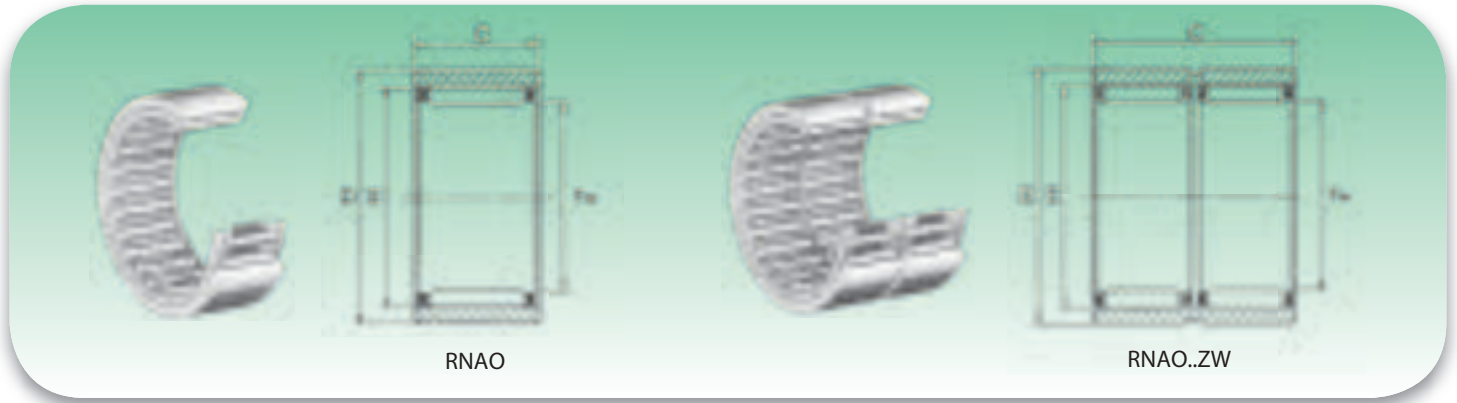


| Diametro albero (mm) Shaft diameter (mm) | Sigla Designation | Peso (g) Weight (g) | Dimensioni (mm) Dimensions (mm) | | | | Coefficienti di carico (N) Basic load ratings (N) | | Velocità limite Limiting Speed |
|---|---------------------------|------------------------|------------------------------------|----|------|----|--|---|-----------------------------------|
| | | | Fw | D | C | E | Dinamico C Dynamic C | Statico C _s Static C _s | |
| 5 | RNAO 5x10x8x TN | 2.8 | 5 | 10 | 8 | 8 | 2 240 | 1 830 | 35 200 |
| 6 | RNAO 6x13x8 TN | 5 | 6 | 13 | 8 | 9 | 2 470 | 2 170 | 30 400 |
| 7 | RNAO 7x14x8 TN | 5 | 7 | 14 | 8 | 10 | 2 700 | 2 520 | 29 450 |
| 8 | RNAO 8x15x10 TN | 7.8 | 8 | 15 | 10 | 11 | 3 750 | 3 900 | 27 550 |
| 10 | RNAO 10x17x10 TN | 9.1 | 10 | 17 | 10 | 13 | 4 510 | 5 230 | 25 650 |
| 12 | RNAO 12x19x13.5 TN | 14 | 12 | 19 | 13.5 | 15 | 5 400 | 7 500 | 22 000 |
| | RNAO 12x22x12 TN | 17.9 | 12 | 22 | 12 | 18 | 9 500 | 9 400 | 22 800 |
| 15 | RNAO 15x23x13 | 18.5 | 15 | 23 | 13 | 19 | 8 100 | 10 350 | 21 850 |
| 16 | RNAO 16x24x13 | 19.8 | 16 | 24 | 13 | 20 | 8 450 | 11 200 | 20 900 |
| | RNAO 16x24x20 - ZW | 29.7 | 16 | 24 | 20 | 20 | 12 600 | 18 810 | 21 100 |
| | RNAO 16x28x12 | 29.7 | 16 | 28 | 12 | 22 | 10 900 | 11 900 | 19 950 |
| 17 | RNAO 17x25x13 | 21 | 17 | 25 | 13 | 21 | 9 900 | 13 900 | 20 900 |
| 18 | RNAO 18x30x24 - ZW | 65 | 18 | 30 | 24 | 24 | 20 800 | 28 500 | 19 000 |
| 20 | RNAO 20x28x13 | 24.5 | 20 | 28 | 13 | 24 | 9 300 | 13 600 | 19 000 |
| | RNAO 20x28x26 - ZW | 48.1 | 20 | 28 | 26 | 24 | 15 950 | 27 100 | 19 000 |
| | RNAO 20x32x12 | 36.6 | 20 | 32 | 12 | 26 | 12 750 | 15 400 | 18 000 |
| 22 | RNAO 22x30x13 | 25.2 | 22 | 30 | 13 | 26 | 9 900 | 15 100 | 18 000 |
| | RNAO 22x35x16 | 58 | 22 | 35 | 16 | 29 | 19 000 | 24 250 | 16 150 |
| 25 | RNAO 25x35x17 | 49 | 25 | 35 | 17 | 29 | 14 150 | 24 700 | 15 200 |
| | RNAO 25x35x26 - ZW | 67.8 | 25 | 35 | 26 | 29 | 18 450 | 35 150 | 15 200 |
| | RNAO 25x37x16 | 59.2 | 25 | 37 | 16 | 32 | 19 900 | 26 600 | 15 200 |
| | RNAO 25x37x32 - ZW | 108 | 25 | 37 | 32 | 32 | 25 000 | 38 900 | 12 000 |
| 26 | RNAO 26x39x13 | 59 | 26 | 39 | 13 | 30 | 11 000 | 18 200 | 15 020 |
| 30 | RNAO 30x40x17 | 59 | 30 | 40 | 17 | 35 | 18 600 | 32 300 | 13 300 |
| | RNAO 30x40x26 - ZW | 92 | 30 | 40 | 26 | 35 | 16 000 | 32 000 | 10 050 |
| | RNAO 30x42x16 | 49.9 | 30 | 42 | 16 | 37 | 21 950 | 31 800 | 13 300 |
| | RNAO 30x42x32 - ZW | 126 | 30 | 42 | 32 | 37 | 37 500 | 63 650 | 13 300 |



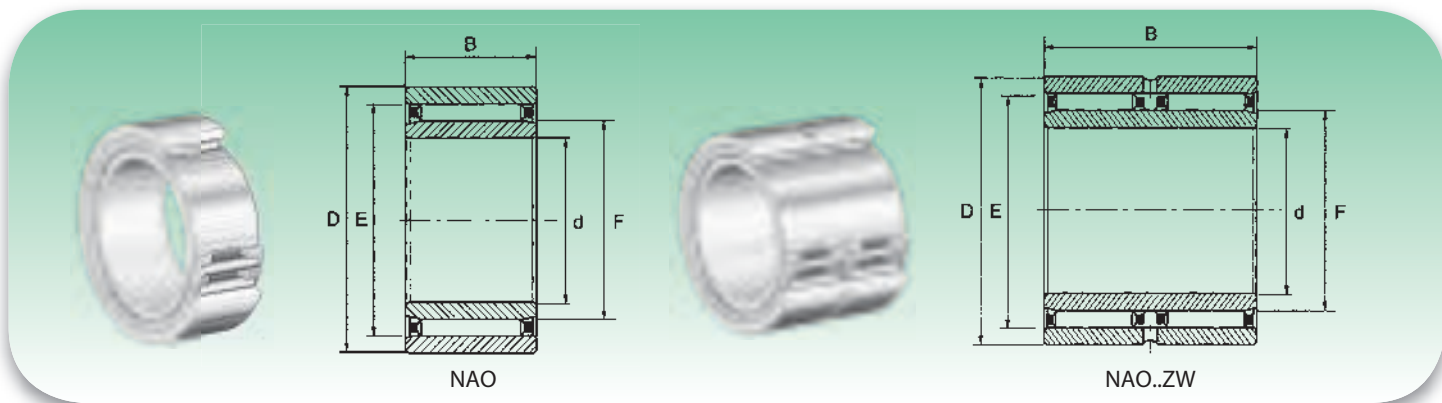
| Diametro albero (mm) Shaft diameter (mm) | Sigla Designation | Peso (g) Weight (g) | Dimensioni (mm) Dimensions (mm) | | | | Coefficients di carico (N) Basic load ratings (N) | | Velocità limite Limiting Speed |
|---|----------------------|------------------------|------------------------------------|-----|----|-----|--|---|-----------------------------------|
| | | | Fw | D | C | E | Dinamico C Dynamic C | Statico C ₀ Static C ₀ | Olio Oil |
| 35 | RNAO 35x45x13 | 50 | 35 | 45 | 13 | 40 | 15 400 | 26 600 | 11 400 |
| | RNAO 35x45x17 | 60 | 35 | 45 | 17 | 40 | 19 750 | 36 600 | 11 400 |
| | RNAO 35x45x26 - ZW | 88 | 35 | 45 | 26 | 40 | 26 100 | 53 200 | 11 400 |
| | RNAO 35x47x16 | 75 | 35 | 47 | 16 | 42 | 23 180 | 35 600 | 11 400 |
| | RNAO 35x47x18 | 86 | 35 | 47 | 18 | 42 | 26 100 | 40 850 | 11 400 |
| | RNAO 35x47x32 - ZW | 149 | 35 | 47 | 32 | 42 | 39 900 | 71 250 | 11 400 |
| 37 | RNAO 37x52x18 | 115 | 37 | 52 | 18 | 44 | 18 900 | 35 500 | 8 800 |
| 40 | RNAO 40x50x17 | 72 | 40 | 50 | 17 | 45 | 20 350 | 39 400 | 10 450 |
| | RNAO 40x50x34 - ZW | 151 | 40 | 50 | 34 | 45 | 34 700 | 78 850 | 10 450 |
| | RNAO 40x55x20 | 144 | 40 | 55 | 20 | 47 | 30 900 | 54 150 | 10 450 |
| | RNAO 40x55x40 - ZW | 268 | 40 | 55 | 40 | 48 | 58 900 | 112 100 | 9 500 |
| 42 | RNAO 42x57x20 | 132 | 42 | 57 | 20 | 50 | 34 200 | 56 000 | 10 000 |
| 45 | RNAO 45x55x17 | 82,5 | 45 | 55 | 17 | 50 | 21 400 | 43 700 | 9 500 |
| | RNAO 45x62x40 - ZW | 368 | 45 | 62 | 40 | 53 | 63 650 | 128 250 | 8 600 |
| 50 | RNAO 50x62x20 | 140 | 50 | 62 | 20 | 55 | 25 200 | 57 000 | 8 600 |
| | RNAO 50x65x20 | 162 | 50 | 65 | 20 | 58 | 33 700 | 58 900 | 8 100 |
| | RNAO 50x65x40 - ZW | 321 | 50 | 65 | 40 | 58 | 57 950 | 117 800 | 8 100 |
| 55 | RNAO 55x68x20 | 157 | 55 | 68 | 20 | 60 | 27 100 | 62 700 | 7 600 |
| 60 | RNAO 60x78x20 | 253 | 60 | 78 | 20 | 68 | 41 300 | 80 750 | 6 700 |
| | RNAO 60x78x40 - ZW | 435 | 60 | 78 | 40 | 68 | 71 250 | 162 450 | 6 700 |
| 65 | RNAO 65x85x30 | 464 | 65 | 85 | 30 | 73 | 54 150 | 116 850 | 6 200 |
| 70 | RNAO 70x90x30 | 488 | 70 | 90 | 30 | 78 | 57 000 | 128 250 | 5 700 |
| 80 | RNAO 80x100x30 | 527 | 80 | 100 | 30 | 88 | 67 450 | 167 200 | 5 300 |
| 85 | RNAO 85x105x25 | 449 | 85 | 105 | 25 | 93 | 54 150 | 129 200 | 4 900 |
| 90 | RNAO 90x105x26 | 373 | 90 | 105 | 26 | 98 | 57 950 | 142 500 | 4 750 |
| | RNAO 90x110x30 | 600 | 90 | 110 | 30 | 98 | 64 600 | 163 400 | 4 700 |
| 100 | RNAO 100x120x30 | 671 | 100 | 120 | 30 | 108 | 67 450 | 178 600 | 4 300 |

TN = Gabbia in plastica, temperatura d'esercizio ammissibile: 80°C (funzionamento continuo).

TN = Plastic cage; temperature allowed: 80°C (continuous working).

ZW = A due corone, con gola e foro di lubrificazione.

ZW = Double row, with groove and lubrication hole.



| Diametro albero (mm) Shaft diameter (mm) | Sigla Designation | Peso (g) Weight (g) | Dimensioni (mm) Dimensions (mm) | | | | | Coefficienti di carico (N) Basic load ratings (N) | | Velocità limite Limiting Speed Olio Oil |
|---|----------------------|------------------------|------------------------------------|-----|------|-----|-----|--|---|--|
| | | | d | D | B | F | E | Dinamico C Dynamic C | Statico C _s Static C _s | |
| 6 | • NAO 6x17x10 TN | 13 | 6 | 17 | 10 | 10 | 13 | 4 500 | 5 200 | 27 550 |
| 9 | NAO 9x22x12 TN | 22 | 9 | 22 | 12 | 12 | 18 | 9 500 | 9 400 | 23 750 |
| 12 | NAO 12x24x13 | 29 | 12 | 24 | 13 | 16 | 20 | 8 450 | 11 200 | 22 800 |
| | NAO 12x24x20 | 43 | 12 | 24 | 20 | 16 | 20 | 12 635 | 18 810 | 22 800 |
| | NAO 12x28x12 | 38.6 | 12 | 28 | 12 | 16 | 22 | 10 900 | 11 900 | 20 900 |
| 15 | NAO 15x28x13 | 27.8 | 15 | 28 | 13 | 20 | 24 | 9 300 | 13 600 | 20 900 |
| | NAO 15x32x12 | 48.1 | 15 | 32 | 12 | 20 | 26 | 12 700 | 15 400 | 20 000 |
| 17 | NAO 17x30x13 | 39 | 17 | 30 | 13 | 22 | 26 | 9 860 | 15 000 | 20 000 |
| | NAO 17x35x16 | 70 | 17 | 35 | 16 | 22 | 29 | 19 000 | 24 200 | 18 000 |
| 20 | NAO 20x35x17 | 72 | 20 | 35 | 17 | 25 | 29 | 14 200 | 24 700 | 17 100 |
| | NAO 20x37x16 | 81 | 20 | 37 | 16 | 25 | 32 | 19 900 | 26 600 | 16 150 |
| 25 | NAO 25x40x17 | 78.9 | 25 | 40 | 17 | 30 | 35 | 18 600 | 32 300 | 14 250 |
| | • NAO 25x42x16 | 83 | 25 | 42 | 16 | 30 | 37 | 21 900 | 31 800 | 14 250 |
| | NAO 25x42x32 - ZW | 189 | 25 | 42 | 32 | 30 | 37 | 37 500 | 63 650 | 14 250 |
| 30 | NAO 30x45x13 | 73 | 30 | 45 | 13 | 35 | 40 | 15 390 | 26 600 | 12 000 |
| | NAO 30x45x17 | 100 | 30 | 45 | 17 | 35 | 40 | 19 760 | 36 600 | 12 350 |
| | NAO 30x45x26 - ZW | 150 | 30 | 45 | 26 | 35 | 40 | 26 100 | 53 200 | 12 350 |
| | NAO 30x47x16 | 99.8 | 30 | 47 | 16 | 35 | 42 | 23 180 | 35 600 | 12 350 |
| | NAO 30x47x18 | 109 | 30 | 47 | 18 | 35 | 42 | 26 100 | 40 850 | 12 350 |
| | NAO 30x52x18 | 172 | 30 | 52 | 18 | 37 | 44 | 26 600 | 43 225 | 11 000 |
| 35 | NAO 35x50x17 | 103 | 35 | 50 | 17 | 40 | 45 | 20 800 | 40 506 | 10 000 |
| | NAO 35x55x20 | 175 | 35 | 55 | 20 | 40 | 47 | 30 900 | 54 150 | 10 450 |
| | # NAO 35x57x20.5 | 206 | 35 | 57 | 20.5 | 42 | 50 | 34 200 | 56 050 | 10 000 |
| 40 | NAO 40x55x17 | 118 | 40 | 55 | 17 | 45 | 50 | 21 400 | 43 700 | 9 500 |
| | • NAO 40x65x20 | 269 | 40 | 65 | 20 | 50 | 58 | 35 000 | 61 200 | 8 000 |
| 50 | • NAO 50x68x20 | 219 | 50 | 68 | 20 | 55 | 60 | 27 100 | 62 700 | 8 100 |
| | • NAO 50x78x20 | 400 | 50 | 78 | 20 | 60 | 68 | 41 325 | 80 750 | 6 500 |
| 70 | NAO 70x100x30 | 829 | 70 | 100 | 30 | 80 | 88 | 67 450 | 167 200 | 5 700 |
| 75 | NAO 75x100x25 | 676 | 75 | 105 | 25 | 85 | 93 | 54 150 | 129 200 | 5 000 |
| 80 | NAO 80x110x30 | 892 | 80 | 110 | 30 | 90 | 98 | 64 600 | 163 400 | 4 750 |
| 90 | NAO 90x120x30 | 1 004 | 90 | 120 | 30 | 100 | 108 | 67 450 | 178 600 | 4 500 |

TN = Gabbia in plastica, temperatura d'esercizio ammissibile: 80°C (funzionamento continuo).

TN = Plastic cage; temperature allowed: 80°C (continuous working).

ZW = A due corone, con gola e foro di lubrificazione nell'anello esterno

ZW = Double row, with groove and lubrication hole in the outer rings

Larghezza anello esterno = 20 mm.

Width of outer ring = 20 mm.

• Foro di lubrificazione nell'anello interno

• Lubrication hole in inner ring